

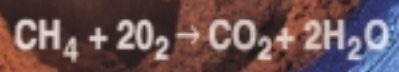
Al Pb

increase yields

$$Q_r = A_1 \epsilon_1 \sigma (T_1^4 - T_2^4)$$

Zn

reduce fuel consumption



Rapidfire™

Combustion equipment and technology for the Non-Ferrous Industry

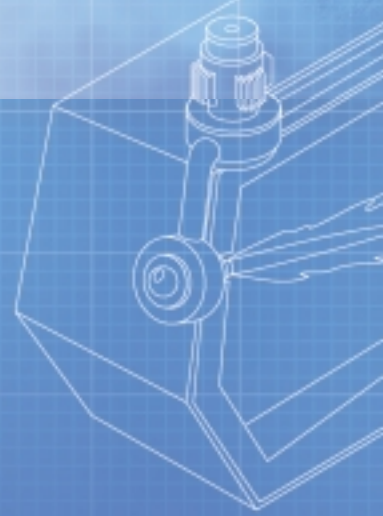
"Our focus is clear - develop leading technologies which save our customers money."

ROB MILLS
EUROPEAN BUSINESS MANAGER

reduce emissions

Cu

increase output



**Air Products' solutions
and services**

*Technical and
design expertise*

Furnace modelling

*Safety and
hazard review*

Project management

Start-up assistance

Process optimisation

Training packages

*After sales service and
maintenance contracts*

Advice and consulting

*Supply of
industrial gases*

Oxy-fuel burner system

*Gas flow
control equipment*

Rapidfire™

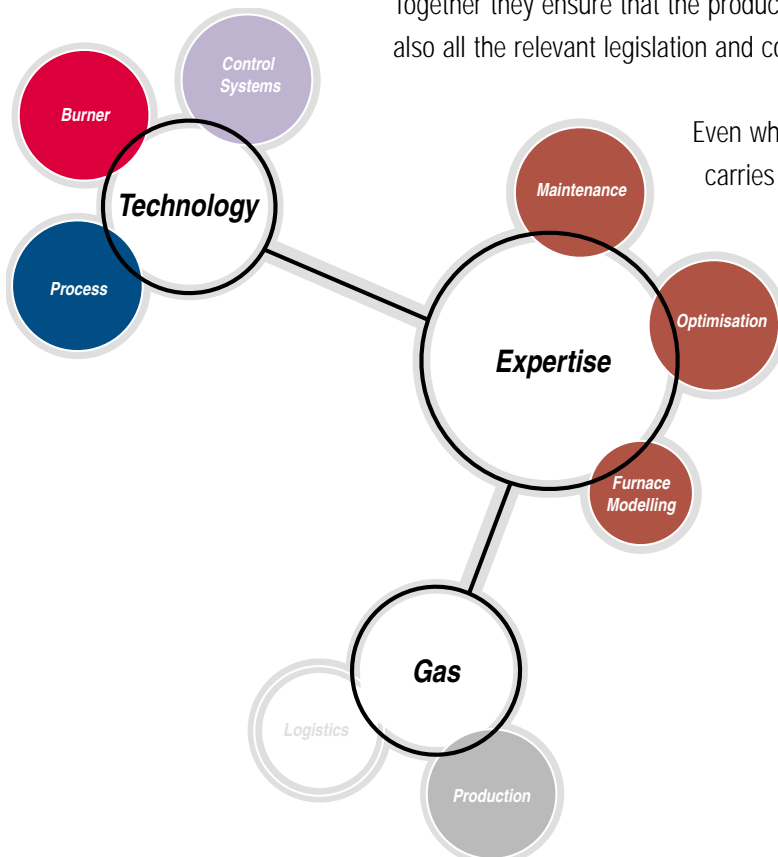
Our Core Business

Our business at Air Products is the successful delivery of combustion equipment and technology as well as services and industrial gases to the non-ferrous industries. We supply over 500 customers world-wide who produce aluminium, copper, zinc, lead and precious metals. Genuinely interested in what our customers do, we're always looking for new ways to help them do it better.

We have pioneered the application of industrial gas based technologies on both static and rotating furnaces and are constantly seeking to develop and improve our range. Our focus is to increase productivity and efficiency and reduce waste in order to save you money. A good example of this is our involvement in the use of oxygen to enhance combustion which has helped us to develop the Rapidfire range of technologies. Close collaboration with our customers has allowed us to prove these technologies in a production environment before bringing them to you.

Our Key People

In a specialised industry such as yours, you need to be supported by people who understand your business. Our people are focused on your industry and have often worked within the industry itself, giving us first hand experience of the issues and challenges you face. This team is made up of process experts, control and instrumentation engineers and support technicians, who are supported by a team of R&D, safety and design specialists. Together they ensure that the products we deliver not only meet your requirements but also all the relevant legislation and codes of practice.



Even when you are up and running our commitment to you carries on. Through our Service Plus initiative, we are able to provide ongoing maintenance, process optimisation and engineering support. This enables you to continually maintain and improve the level of your performance on a long term basis.

Cu

$Q = C.S.V. \frac{dT}{dt}$

increase yields

$Q_r = A_i \dots (T_1 - T_2)$

reduce fuel consumption

$CH_4 + 2O_2 \rightarrow CO_2 + 2H_2O$

Benefits

- Increase production**
- Increase yields**
- Reduce fuel consumption**
- Minimisation of emissions**
- Ability to melt lower cost materials**
- Substantial flux savings**
- In-furnace hydrocarbon combustion - no need for after-burners**
- Stable performance with time**
- No increase in specific refractory consumption**
- Fully integrated control systems**
- Retrofittable**


Air Product Specialists

Because we really understand your needs, you are able to concentrate fully on your business while we focus on solving your problems.

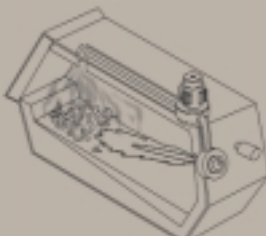
reduce emissions

Al

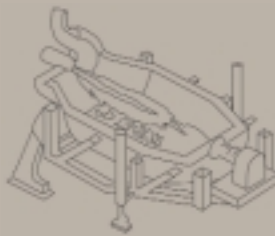
Zn




LEAM
Low Emission Aluminium Melting




RILEE
Recycle Incineration Low Exhaust Emission



TRF
Tilting Rotary Furnace



TCM
Twin Chamber Melter



BURNERS
Burners and Process Equipment

Americas

Air Products and Chemicals, Inc.
Metals Industries, 7201 Hamilton
Boulevard, Allentown,
PA 18195 - 1501 USA
Tel: 800 654 4567
Intl: +1 610 706 4730

Asia

Air Products Asia, Inc.,
9 Temasek Boulevard,
#28-01 Suntec Tower 2,
Singapore
038989
Tel: +65 (0) 332 1610

Belgium

Air Products N.V.
Chaussee de Wavre 1789,
Waversesteenweg,
B-1160, Bruxelles/Brussel
Tel: +32 (0)2 674 9411

Czech Republic

Air Products spol. s r.o.
Komerční technologie a prodej plynů
Ústecká 30
405 30 Děčín
Česká & Slovenská Republika
Tel: 800 100 700
Intl: +42 (0)412 703 111

France

Air Products S.A.
78 Rue Championnet,
75881 Paris Cedex 18
Tel: +33 (0)1 44 92 51 00

Germany

Air Products GmbH,
Hüttenstraße 50,
45527 Hattingen
Germany
Tel: +49 (0)23 24 6890

Italy

SAPIO Produzione Idrogeno Ossigeno
SRL,
Via Silvio Pellico 48,
20052 Monza (Mi)
Tel: +39 (0) 39 83981

Portugal

Gasin
Rua do Progresso, 53 – Perafita,
Apartado 3051 – Leça,
4456 Matosinhos Codex, Portugal
Tel: +351 22 999 8300

Spain

S.E. Carburos Metálicos, S.A.
Aragón 300, 08009 Barcelona
Tel: +34 93 290 2600

The Netherlands

Air Products Amsterdam B.V.,
Postbus 37601,
1030 BA Amsterdam,
Klaprozenweg,
101 1003 NN Amsterdam
Tel: +31 (0)20 435 35 35

United Kingdom

Air Products PLC, Commercial
Technology Group, Fourth Avenue,
Crewe, Cheshire CW1 6XL
Tel: +44 (0)1270 506000

Air Products is a leading international supplier of industrial gases and chemicals and related equipment. Our 17,000 employees working in over 30 countries are committed to building lasting commercial relationships based on understanding our customers' business. Through this understanding we continually find ways to help our customers win markets around the world whilst maintaining our focus on being an industry leader in safety, health and preservation of the environment.

Email: info@apci.com

tell me more
www.airproducts.co.uk/metals