

Flexible Duct

Alu | Aluminum Non-Insulated Flexible Duct

Full range of flexible uninsulated multiply aluminum/polyester laminated ducting for HVAC market



- Made of Multi-layer aluminum/polyester laminate with embedded flexible wire spring for different needs of operating temperature
- Ideal for use in general purpose exhaust applications and ventilation of central air-con system
- Max air Velocity: 30 Meter/Sec(6000ft/min); Max air pressure: 250mm W.G.

Properties	AluAir+ 2.0	AluAir+ 3.0	AluAir+ 6.0
Diameter	50mm-610mm	50mm-610mm	50mm-610mm
Temperature	-30/150°C	-30/150°C	-30/220°C
Max Air Velocity	30m/sec	30m/sec	30m/sec
Pressure	2500Pa	3000Pa	3000Pa
Standard Length	10m	10m	10m
Packing	Individual carton	Individual carton	Individual carton
Layer	1 polyester & 1 aluminium	1 polyester & 2 aluminium	2 polyester & 4 aluminium

Certificated Alu

Alu M1: Similar Structure as Alu3.0 with different material - NFP 92-512 **M0** Certificate
 BS 476 **Class 1** Certificate

Alu M0: Similar Structure as Alu6.0 with different material - NFP 92-512 **M0** Certificate Pending
 BS 476 **Class 0** Certificate Pending

Alu | Rectangular

Size

110mm x 54mm x 6m	222mm x 58mm x 6m
140mm x 54mm x 6m	115mm x 55mm x 6m
180mm x 54mm x 6m	150mm x 70mm x 6m
195mm x 54mm x 6m	



Carton Packing
 45cm-50cm Length Carton
 Brown/White Color

ISO | Aluminum Insulated Flexible Duct



Full range of flexible thermal insulated ducting for preventing condensation when there's temperature difference in airflow of ventilation system

- Helpful for reducing heat & cool loss and preventing condensation
- Insulation: standard 16kg/m³ quality insulation glass wool and 32kg/m³ glass wool is also available
- Packing: individual 120cm long carton packing or Individual PE bag packing

Properties	IsoAir+2.0	IsoAir+3.0	IsoAir+6.0
Inner duct	AluAir+ 2.0	AluAir+ 3.0	AluAir+ 6.0
Outer Jacket	Alu Jacket 1.0	Alu Jacket 1.0	Alu Jacket 1.0
Diameter	50mm-610mm	50mm-610mm	50mm-610mm
Temperature	-30/140°C	-30/140°C	-30/140°C
Max Air Velocity	30m/sec	30m/sec	30m/sec
Pressure	2500Pa	3000Pa	3000Pa
Standard Length	10m	10m	10m

Certificated ISO

Alu M1: Similar Structure as Iso2.0 or Iso3.0 with different material - NFP 92-512 **M1** Certificate
 BS 476 **Class 1** Certificate

Alu M0: Similar Structure as Iso6.0 with different material - NFP 92-512 **M0** Certificate Pending
 BS 476 **Class 0** Certificate Pending

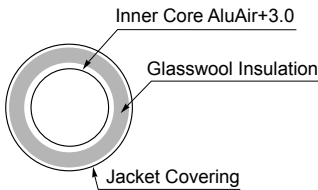
SONO | Aluminum Acoustic Insulated Flexible Duct



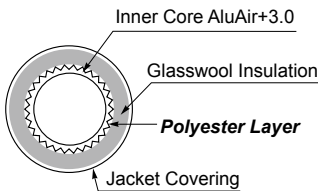
Perforated Aluminum/polyester Lamination

Full range of flexible acoustic thermal insulated ducting for preventing condensation and reducing noise when there's temperature difference in airflow of ventilation system

- Helpful for reducing heat & cool loss and preventing condensation
- Insulation: standard 16kg/m³ quality insulation glass wool and 32kg/m³ glass wool is also available
- Perforated aluminum/polyester lamination for reducing noise
- Packing: individual 120cm long carton packing & individual PE bag packing



SonoAir+3.0



SonoAir+3.0P

Properties	SonoAir+2.0	SonoAir+3.0
Inner duct	AluAir+ 2.0	AluAir+ 3.0
Outer Jacket	Alu Jacket 1.0	Alu Jacket 1.0
Polyester Layer	\	\
Diameter	50mm-610mm	50mm-610mm
Temperature	-30/140°C	-30/140°C
Max Air Velocity	30m/sec	30m/sec
Pressure	2500Pa	3000Pa
Standard Length	10m	10m

Properties	SonoAir+3.0P	SonoAir+6.0P
Inner duct	AluAir+ 3.0	AluAir+ 6.0
Outer Jacket	Alu Jacket 1.0	Alu Jacket 1.0
Polyester Layer	yes	yes
Diameter	50mm-610mm	50mm-610mm
Temperature	-30/140°C	-30/140°C
Max Air Velocity	30m/sec	30m/sec
Pressure	3000Pa	3000Pa
Standard Length	10m	10m

Certificated SONO

Alu M1: Similar Structure as Sono2.0 or Sono3.0 with different material - NFP 92-512 **(ML)** Certificate
 BS 476 **Class 1** Certificate

Alu M0: Similar Structure as Sono6.0 with different material - NFP 92-512 **(MO)** Certificate Pending
 BS 476 **Class 0** Certificate Pending



Combi | Alu/PVC Combined Flexible Duct

Combined with an aluminum/polyester laminated inner core and a mechanical resistant PVC layer, CombiAir+ is good for some special industrial use such as for the exhaust of welding fumes

Properties	CombiAir+ L	CombiAir+ M
Inner Duct	AluAir+ Light/PVC foil	AluAir+ Middle/PVC foil
Diameter	50mm-610mm	50mm-610mm
Temperature	-30/140°C	-30/140°C
Max Air Velocity	30m/sec	30m/sec
Pressure	2500Pa	2500Pa
Standard Length	10m	10m
Packing		individual carton



PVC/PVC Fabric Flexible Duct

Properties	PVC	PVC Fabric
Inner Duct	PVC foil	PVC foil/glass cloth
Diameter	50mm-610mm	50mm-610mm
Temperature	-30/140°C	-30/140°C
Max Air Velocity	30m/sec	30m/sec
Pressure	2500Pa	2500Pa
Certificate	M0	M0
Standard Length	10m	10m
Packing		individual carton

Polyester Flexible Duct Series

2ply Black Polyester Air Duct

Non-insulated polyester ducting is made of multi layer metalized polyester or polyester and is designed for ventilation system at medium to low pressure

Size: 45mm/610mm
Length: 25ft (7.6m)
Temperature range: -30/150°C

Metalized Polyester Air Duct

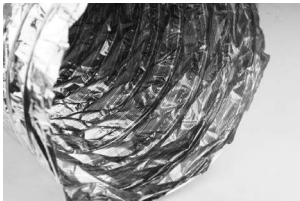
Made of one layer polyester foil and one layer of metalized polyester which is stronger and prevent lights inside and is specially good for garden ventilation system

Size: 45mm/610mm
Length: 25ft (7.6m)
Temperature range: -30/150°C

Aluminum/Polyester Air Duct

Made of one layer aluminum foil and one layer of polyester which is stronger and prevent lights inside and is specially good for garden ventilation system

Size: 45mm/610mm
Length: 25ft (7.6m)
Temperature range: -30/150°C



Colored inner layer
helps avoiding light



Polyester Insulated flexible Ducting

Jacket: 2ply black polyester air duct

Size: 45mm/610mm

Length: 25ft (7.6m)

Temperature range: -30/150°C

Insulation: 25mm, 16Kg/m³ Polyester fibre blend
or Insulation glass wool

Flexible Duct Accessories

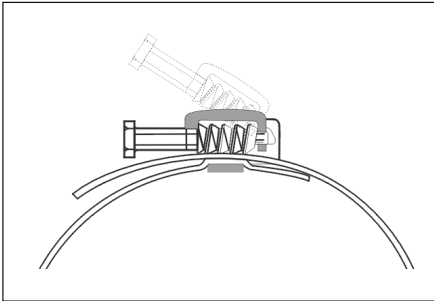


Preformed Speed Clamps

*Made of 9mm stainless steel strip, with suitably profiled edges preventing duct damage during fixing.

*Ideal for all types of flexible duct and suitable for different size with different length strip.

Speed Clamp



Type	Max. Dia
SCP090	060-090mm
SCP110	060-110mm
SCP135	060-135mm
SCP165	060-165mm
SCP180	060-180mm
SCP215	060-215mm
SCP270	060-270mm
SCP325	060-325mm
SCP380	060-380mm
SCP525	060-525mm
SCP660	060-660mm

Clamp Band



Clamp Band

Comes with a handy plastic container having 30m strip inside and with multi clamp, you may cut it to any size fitting different size flexible ducts.

Band: 9mm width, 0.6mm thickness width rounded edges and smooth underside of banding prevent any risk of damage of the duct of pipe being clamped.

Clamp Band and Locking Devices



Locking Devices(Multi Clamps)

Size: 50pcs/bag

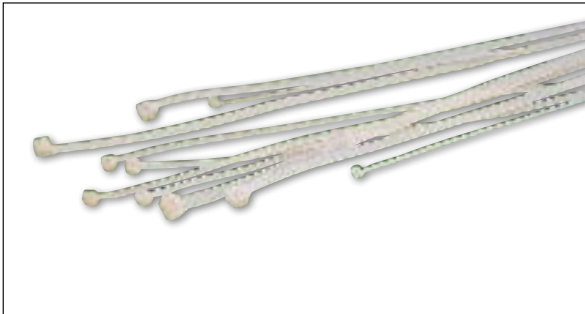
Packing: 20bags/carton



Clamp Band

Size: 30m/band

Packing: 5bands/carton



Nylon Clamps

ID	Length	Width
102mm	---380mm	5mm
140mm	---500mm	8mm
185mm	---650mm	9mm
270mm	---920mm	9mm