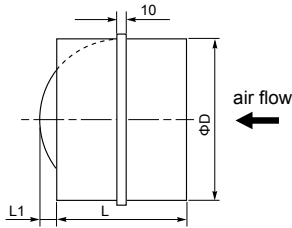
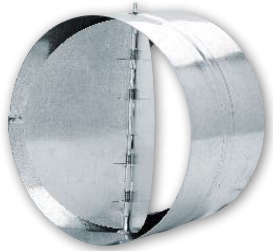


## Pressure Relief Damper (Back Draught Shutters)



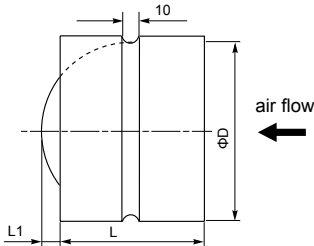
### PVA

- The pressure relief valve PVA is used for preventing the reverse of air-flow in circular duct systems.
- The casing of PVA is made from galvanized steel, the blades are made of aluminium.
- With a inner foam seal for better tightness and noise reduction.
- The valve opens when overpressure occurs and closes by means of spring when the pressure drops.
- It is recommended to install the shutter into horizontal ducting.

Model	ΦD	L1	L
PVA 100	99	6	88
PVA 125	124	19	88
PVA 150	149	31	88
PVA 160	159	36	88
PVA 200	199	56	88
PVA 250	249	61	128
PVA 315	314	94	128
PVA 355	354	65	198
PVA 400	399	64	198
PVA 450	449	80	248
PVA 500	499	107	248

### PVB

- The pressure relief valve PVB is used for preventing the reverse of air-flow in circular duct systems.
- The casing of PVB is made from galvanized steel, the blades are made of aluminium.
- The valve opens when overpressure occurs and closes by means of spring when the pressure drops.
- It is recommended to install the shutter into horizontal ducting.



Model	ΦD	L1	L
PVA 100	99	6	88
PVA 125	124	19	88
PVA 150	149	31	88
PVA 160	159	36	88
PVA 200	199	56	88
PVA 250	249	61	128
PVA 315	314	94	128
PVA 355	354	65	198
PVA 400	399	64	198
PVA 450	449	80	248
PVA 500	499	107	248

## IRIS



new type offer a better air-tightness sealing and easier control in Size

Type No	Air flow		Dimensions			
	min m <sup>3</sup> /h	Max m <sup>3</sup> /h	mm			
	35dB(A)	55dB(A)	d	D	L	A
IrB100	40	270	99	165	110	30
IrB125	60	400	124	188	110	30
IrB160	120	600	159	230	110	30
IrB200	270	1100	199	285	110	30
IrB250	280	1600	249	335	135	35
IrB315	400	2500	314	410	135	35

### Sound Attenuation

The sound power level  $L_w$  in octave band is obtained by adding the correction factor  $K_{oct}$  to the total sound pressure level  $L_{p10A}$  as follows:

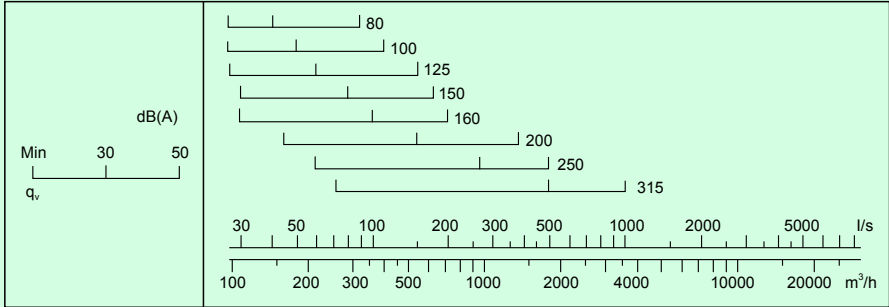
$$L_{woct} = L_{p10A} + K_{oct}$$

The correction factor  $K_{oct}$  is the average in the range of use of the IRIS regulation and measuring device.

Correction factor in octave band  $K_{oct}$  (dB) Medium frequency (Hz)

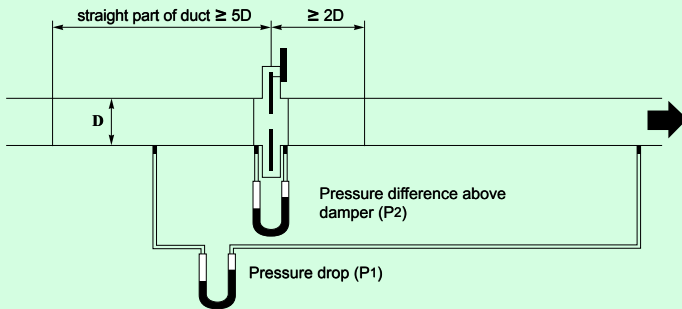
Size	63	125	250	500	1000	2000	4000	8000
80	10	16	12	9	5	-1	-6	-23
100	25	21	16	9	4	-6	-12	-25
125	17	17	13	7	1	-4	-6	-17
160	19	18	14	6	-1	-6	-13	-25
200	20	17	12	5	-2	-5	-14	-26
250	16	12	8	3	1	-4	-17	-32
315	24	12	5	0	1	-2	-13	-27

### Quick-guide



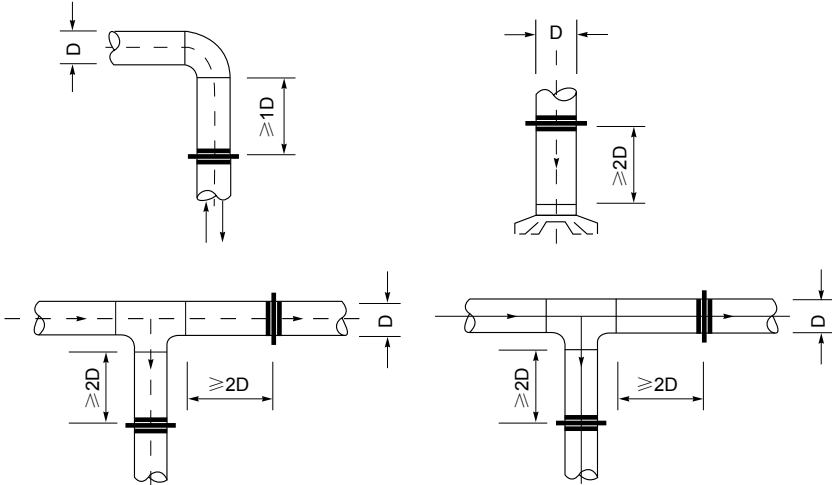
### Installation

#### 1) Recommended first choice installation



## 2) Alternative Installations

If the installation requires shorter disturbance distance than recommended above, the examples below show different installations where the divergence from the chart is +7%



## One Blade Ventilating Damper

Diam.

- 80
- 100
- 125
- 150
- 160
- 180
- 200
- 224
- 250
- 280
- 300
- 315
- 355
- 400



**B Type (with BD regulator)**



**C Type (with Stand off regulator)**



**P Type (with PSR regulator)**

## Damper Regulating Hardware



### DR-K

Set includes:

- Handle
  - Short clip bearing
  - Long clip bearing
  - Wing nut and washer
- Packing: 100 sets per carton



### DR-M

For dampers up to : 250 mm (10") Diameter

Set includes:

- Handle
  - Wing nut, washer & bolt
  - Spring loaded end spindle
  - Oval threaded spindle
- Packing: 100 sets per carton



### DR14

For dampers up to :250mm mm (10") Diameter

Set Includes:

- Dial parts with handle
  - Wing nut ,washer & bolt
  - 1/4" spring loaded end spindle
  - 1/4" Square spindle
- Packing: 100 sets per carton



### DR38

For dampers up to : 500 mm (20") Diameter

Set Includes:

- Dial parts with handle
  - Wing nut, washer & bolt
  - 3/8" spring loaded end spindle
  - 3/8" square spindle
- Packing: 50sets per carton

### DQS12

For dampers up to : 700 mm (30") Diameter



Set Includes:  
Quadrant  
Handle  
Wing nut, washer & bolt  
1/2" Square spindle  
1/2" Round spindle  
Packing: 50 sets per carton

### MQS12

For multi-blade dampers with round shaft of 12 mm (1/2") diameter,



Set Includes:  
Quadrant  
Handle  
Wing nut, washer & bolt  
Packing: 50 sets per carton

### KFR12/KFS 12\*

Set Includes:



Quadrant  
Handle  
Wing nut, washer & bolt  
Rubber seal for 14mm round spindle  
Packing: 50 sets per carton

\*the handle & rubber seal of KFS12 are for 14mm square spindle

### BD

For one-blade dampers  
Made of galvanized steel



Set Includes:  
Quadrant  
Handle  
Screw & bolt  
Packing: 100 sets per carton

### PSR

Plastic damper quadrant  
For dampers up to : 220 mm Diameter  
Nylon body  
Packing: 50 sets per carton

