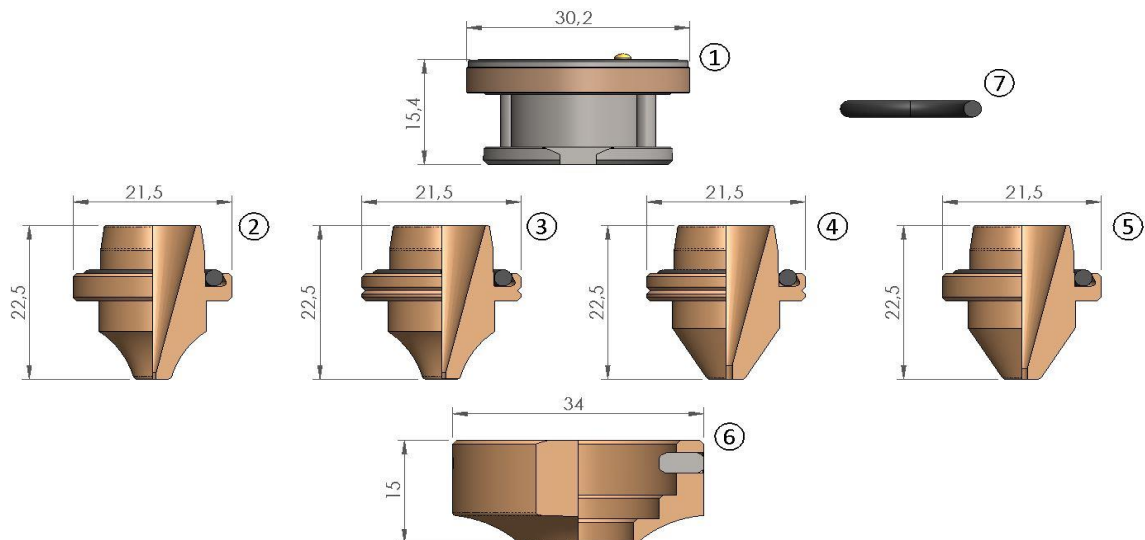
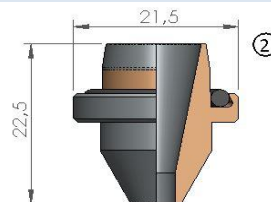
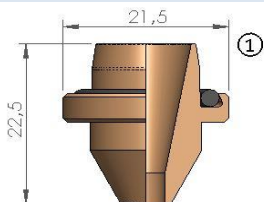


Katalog części zamiennych dla MITSUBISHI®

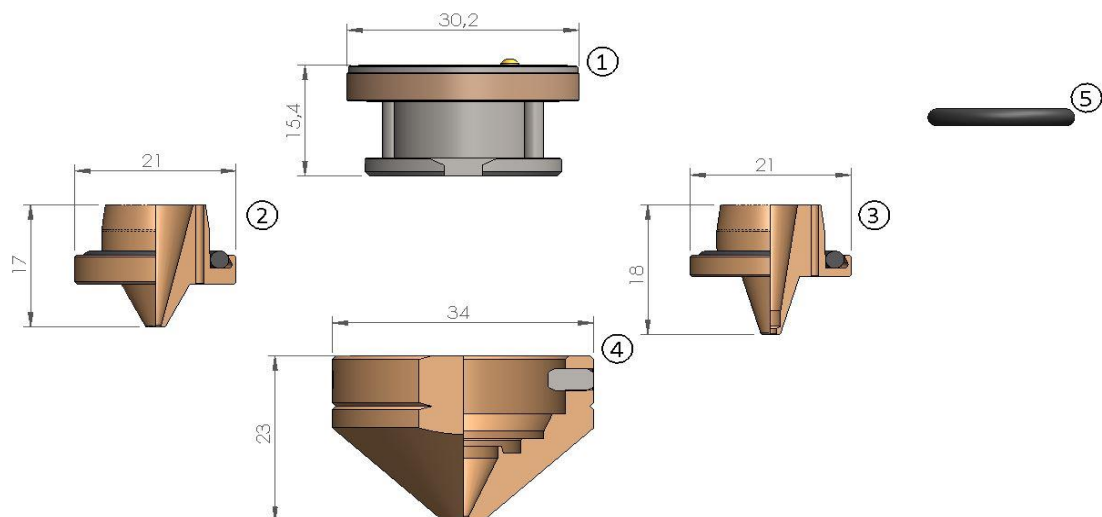


POZ	NUMER REFERENCYJNY	NAZWA
1	BQ980D311G02	MITSUBISHI® EX NOZZLE HOLDER STAINLESS STEEL
2	BQ983D150-H01	MITSUBISHI® EX NOZZLE Ø 1.0 with o-ring
	BQ983D314-H01	MITSUBISHI® EX NOZZLE Ø 1.4 with o-ring
3	BQ983D151-H01	MITSUBISHI® EX NOZZLE Ø 1.2 with o-ring
4	BQ983D152-H01	MITSUBISHI® EX NOZZLE Ø 1.7 with o-ring
5	BQ983D153-H01	MITSUBISHI® EX NOZZLE Ø 1.5 with o-ring
	BQ983D153-H02	MITSUBISHI® EX NOZZLE Ø 2.0 with o-ring
	BQ983D153-H03	MITSUBISHI® EX NOZZLE Ø 2.5 with o-ring
	BQ983D153-H04	MITSUBISHI® EX NOZZLE Ø 3.0 with o-ring
	BQ983D153-H05	MITSUBISHI® EX NOZZLE Ø 3.5 with o-ring
6	BQ980D328G01	MITSUBISHI® EX OUTER NOZZLE FOR NOZZLE
7		O RING FOR NOZZLE



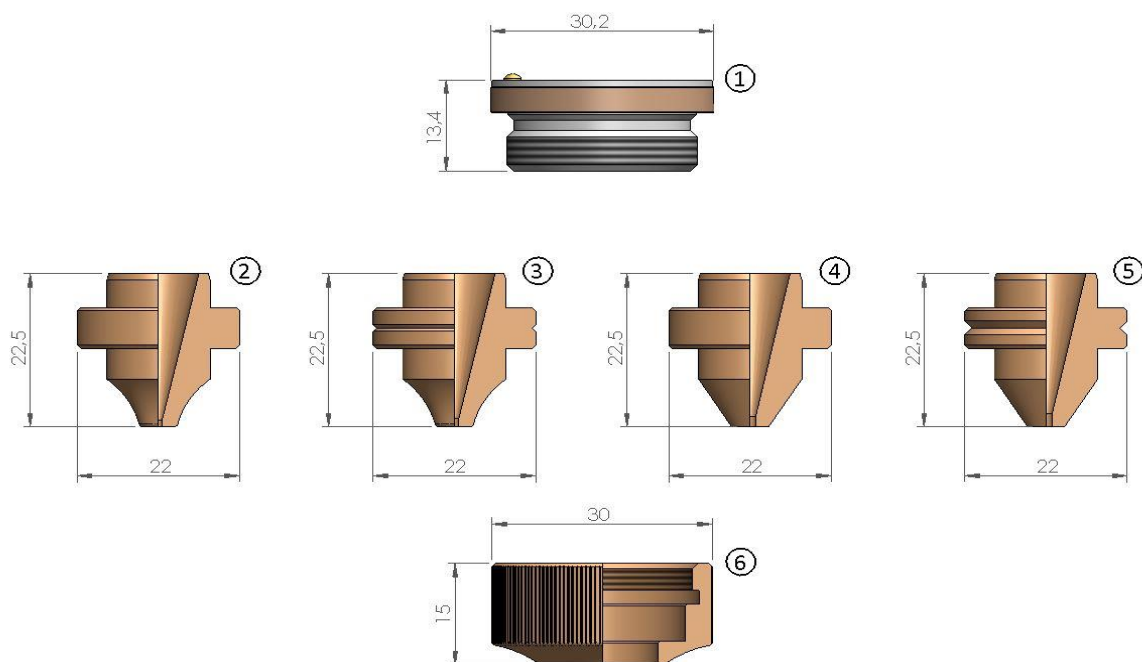
POZ	NUMER REFERENCYJNY	NAZWA
1		MITSUBISHI® EX NOZZLE Ø 4.0 with o-ring
		MITSUBISHI® EX NOZZLE Ø 5.0 with o-ring
		MITSUBISHI® EX NOZZLE Ø 6.0 with o-ring
2		MITSUBISHI® EX NOZZLE Ø 4.0 with o-ring CP
		MITSUBISHI® EX NOZZLE Ø 5.0 with o-ring CP
		MITSUBISHI® EX NOZZLE Ø 6.0 with o-ring CP

Katalog części zamiennych dla MITSUBISHI®



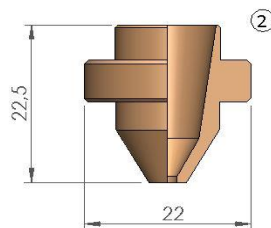
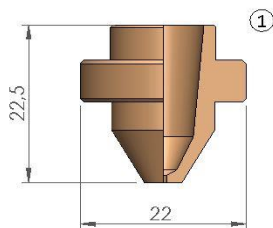
POZ	NUMER REFERENCYJNY	NAZWA
1	BQ980D311G02	MITSUBISHI® EX NOZZLE HOLDER STAINLESS STEEL
2		MITSUBISHI® EX INNER NOZZLE Ø 1.5-3 holes with o-ring
		MITSUBISHI® EX INNER NOZZLE Ø 2.0-3 holes with o-ring
		MITSUBISHI® EX INNER NOZZLE Ø 1.5-4 holes with o-ring
		MITSUBISHI® EX INNER NOZZLE Ø 2.0-4 holes with o-ring
		MITSUBISHI® EX INNER NOZZLE Ø 1.5-6 holes with o-ring
		MITSUBISHI® EX INNER NOZZLE Ø 2.0-6 holes with o-ring
	BQ983D206H03	MITSUBISHI® EX INNER NOZZLE Ø 1.5-8 holes with o-ring
		MITSUBISHI® EX INNER NOZZLE Ø 2.0-8 holes with o-ring
		MITSUBISHI® EX INNER NOZZLE Ø 2.5-8 holes with o-ring
	BQ983D206H04	MITSUBISHI® EX INNER NOZZLE Ø 1.5-24 holes with o-ring
	MITSUBISHI® EX INNER NOZZLE Ø 2.0-24 holes with o-ring	
	MITSUBISHI® EX INNER NOZZLE Ø 2.5-24 holes with o-ring	
3		MITSUBISHI® EX INNER NOZZLE M01 Ø 1.5-4 holes with o-ring
		MITSUBISHI® EX INNER NOZZLE M01 Ø 2.0 - 4 holes with o-ring
4		MITSUBISHI® EX OUTER NOZZLE Ø 1.5 WITH INNER WALL
		MITSUBISHI® EX OUTER NOZZLE Ø 2.0 WITH INNER WALL
		MITSUBISHI® EX OUTER NOZZLE Ø 2.5 WITH INNER WALL
		MITSUBISHI® EX OUTER NOZZLE Ø 3.0 WITH INNER WALL
		MITSUBISHI® EX OUTER NOZZLE Ø 3.5 WITH INNER WALL
	BQ980D434G01	MITSUBISHI® EX OUTER NOZZLE Ø 4.0 WITH INNER WALL
5		O RING FOR NOZZLE

Katalog części zamiennych dla MITSUBISHI®

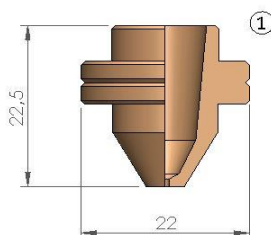


POZ	NUMER REFERENCYJNY	NAZWA
1	P0594-860-00001 - 71800010	MITSUBISHI® NOZZLE HOLDER IT HP2" MZP/MEL
2	BQ933D283H01-71800016A0	MITSUBISHI® NOZZLE S10 Ø 1.0
		MITSUBISHI® NOZZLE S14 Ø 1.4
3	BQ943D269H01-W18Q93326901- 71800017	MITSUBISHI® NOZZLE S12 Ø 1.2
	BQ943D157H01 - 71800018	MITSUBISHI® NOZZLE S15 Ø 1.5
4	BQ943D157H02-71800019	MITSUBISHI® NOZZLE S20 Ø 2.0
	71800020 - BQ943D157H03	MITSUBISHI® NOZZLE S25 Ø 2.5
	71800021 - BQ943D157H04	MITSUBISHI® NOZZLE S30 Ø 3.0
	71800022 - BQ943D596H01	MITSUBISHI® NOZZLE S35 Ø 3.5
5		MITSUBISHI® NOZZLE Ø 1.7
	W18Q93302701	MITSUBISHI® NOZZLE S17 Ø 1.7
6	BQ933D94H01-71800026	MITSUBISHI® NOZZLE NUT
7	W290 - 71800107	MITSUBISHI® O-RING

Katalog części zamiennych dla MITSUBISHI®

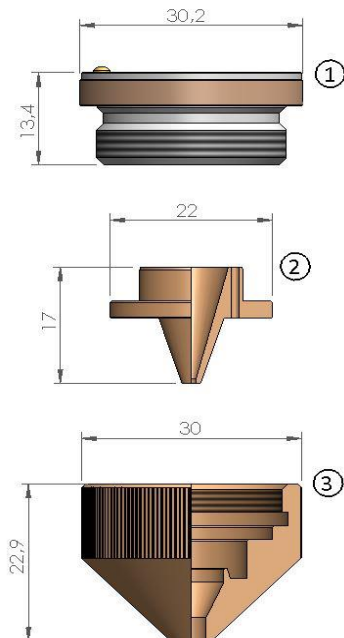


POZ	NUMER REFERENCYJNY	NAZWA
1	71800016-BQ943D897H01-W18Q94389701	AMADA® - MITSUBISHI® HV NOZZLE Ø 1.0
2	W18Q93309101	AMADA® - MITSUBISHI® HV NOZZLE Ø 2.5
	W18Q93309102	AMADA® - MITSUBISHI® HV NOZZLE Ø 3.0

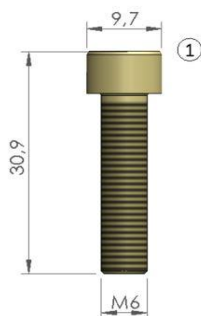


POZ	NUMER REFERENCYJNY	NAZWA
1		AMADA® - MITSUBISHI® HV NOZZLE Ø 1.0
		AMADA® - MITSUBISHI® HV NOZZLE Ø 1.2
		AMADA® - MITSUBISHI® HV NOZZLE Ø 1.5
		AMADA® - MITSUBISHI® HV NOZZLE Ø 1.7
		AMADA® - MITSUBISHI® HV NOZZLE Ø 2.0
		AMADA® - MITSUBISHI® HV NOZZLE Ø 2.5

Katalog części zamiennych dla MITSUBISHI®

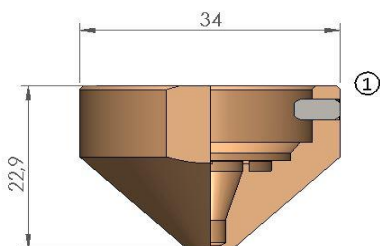


POZ	NUMER REFERENCYJNY	NAZWA
1	P0594-860-00001 - 71800010	MITSUBISHI® NOZZLE HOLDER IT HP2" MZP/MEL
2	W270	MITSUBISHI® INNER NOZZLE Ø 1.3-8 HOLES
	BQ943D156H01 - 71800023 - W270-1.5	MITSUBISHI® INNER NOZZLE Ø 1.5-8 HOLES
		MITSUBISHI® INNER NOZZLE Ø 2.0-8 HOLES
	BQ943D156H03 - 71800024 - W515	MITSUBISHI® INNER NOZZLE Ø 1.5-24 HOLES
		MITSUBISHI® INNER NOZZLE Ø 2.0-24 HOLES
3	BQ933D221H04-71800027-P0593-86000001	MITSUBISHI® OUTER NOZZLE WITH INNER WALL
4	W290 - 71800107	MITSUBISHI® O-RING

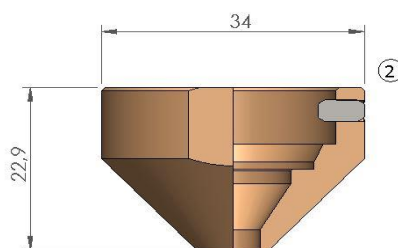
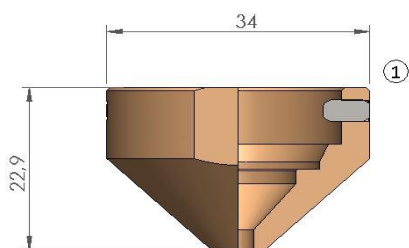


POZ	NUMER REFERENCYJNY	NAZWA
1	71800008, L2490A005, LC50700, P903K001P72	AMADA® SAFETY SCREW

Katalog części zamiennych dla MITSUBISHI®

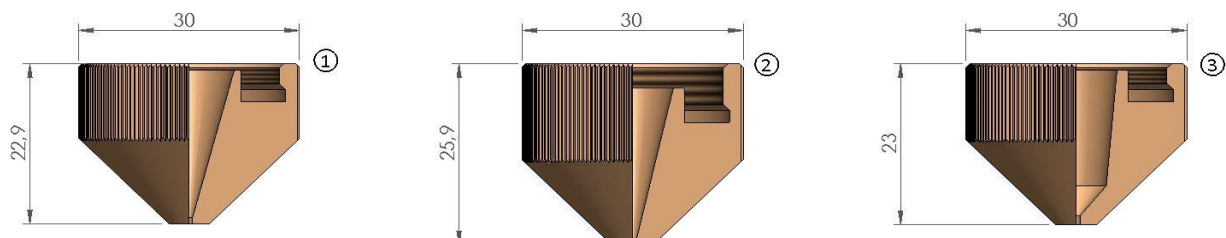


POZ	NUMER REFERENCYJNY	NAZWA
1		MITSUBISHI® EX OUTER NOZZLE



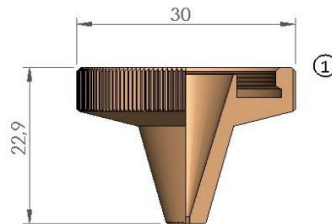
POZ	NUMER REFERENCYJNY	NAZWA
1	BQ980D442G03	MITSUBISHI® EX OUTER NOZZLE Ø 4,0 MM
2	BQ980D442G01	MITSUBISHI® EX OUTER NOZZLE Ø 7.0 MM

Katalog części zamiennych dla MITSUBISHI®



POZ	NUMER REFERENCYJNY	NAZWA
1	W1626	MITSUBISHI® NOZZLE Ø 1.0
	W1627	MITSUBISHI® NOZZLE Ø 1.2
		MITSUBISHI® NOZZLE Ø 1.4
	W1628	MITSUBISHI® NOZZLE Ø 1.5
	W1661	MITSUBISHI® NOZZLE Ø 1.7
	W1629	MITSUBISHI® NOZZLE Ø 2.0
	W1630	MITSUBISHI® NOZZLE Ø 2.5
	W1664	MITSUBISHI® NOZZLE Ø 3.0
	W1665	MITSUBISHI® NOZZLE Ø 3.5
	W1666	MITSUBISHI® NOZZLE Ø 4.0
	W1662	MITSUBISHI® NOZZLE Ø 4.5
W1663	MITSUBISHI® NOZZLE Ø 5.0	
2	W1249	MITSUBISHI® SHIELD NOZZLE Ø 1.0
	W1256	MITSUBISHI® SHIELD NOZZLE Ø 1.2
	W1250	MITSUBISHI® SHIELD NOZZLE Ø 1.5
	W1251	MITSUBISHI® SHIELD NOZZLE Ø 2.0
	W1252	MITSUBISHI® SHIELD NOZZLE Ø 2.5
	W1253	MITSUBISHI® SHIELD NOZZLE Ø 3.0
	W1254	MITSUBISHI® SHIELD NOZZLE Ø 3.5
	W1255	MITSUBISHI® SHIELD NOZZLE Ø 4.0
3	W1626B	MITSUBISHI® NOZZLE Ø 1.0 LOW PRESSURE
	W1627B	MITSUBISHI® NOZZLE Ø 1.2 LOW PRESSURE
	W1628B	MITSUBISHI® NOZZLE Ø 1.5 LOW PRESSURE
	W1629B	MITSUBISHI® NOZZLE Ø 2.0 LOW PRESSURE
	W1630B	MITSUBISHI® NOZZLE Ø 2.5 LOW PRESSURE
	W1664B	MITSUBISHI® NOZZLE Ø 3.0 LOW PRESSURE
	W1665B	MITSUBISHI® NOZZLE Ø 3.5 LOW PRESSURE
	W1666B	MITSUBISHI® NOZZLE Ø 4.0 LOW PRESSURE

Katalog części zamiennych dla MITSUBISHI®



POZ	NUMER REFERENCYJNY	NAZWA
1	NCW1626C	MITSUBISHI® NOZZLE Ø 1.0 NARROW CONE
	NCW1627C	MITSUBISHI® NOZZLE Ø 1.2 NARROW CONE
	NCW1629C	MITSUBISHI® NOZZLE Ø 2.0 NARROW CONE
	NCW1630C	MITSUBISHI® NOZZLE Ø 2.5 NARROW CONE