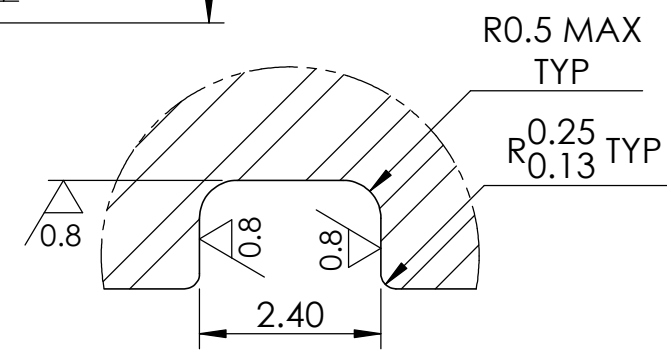
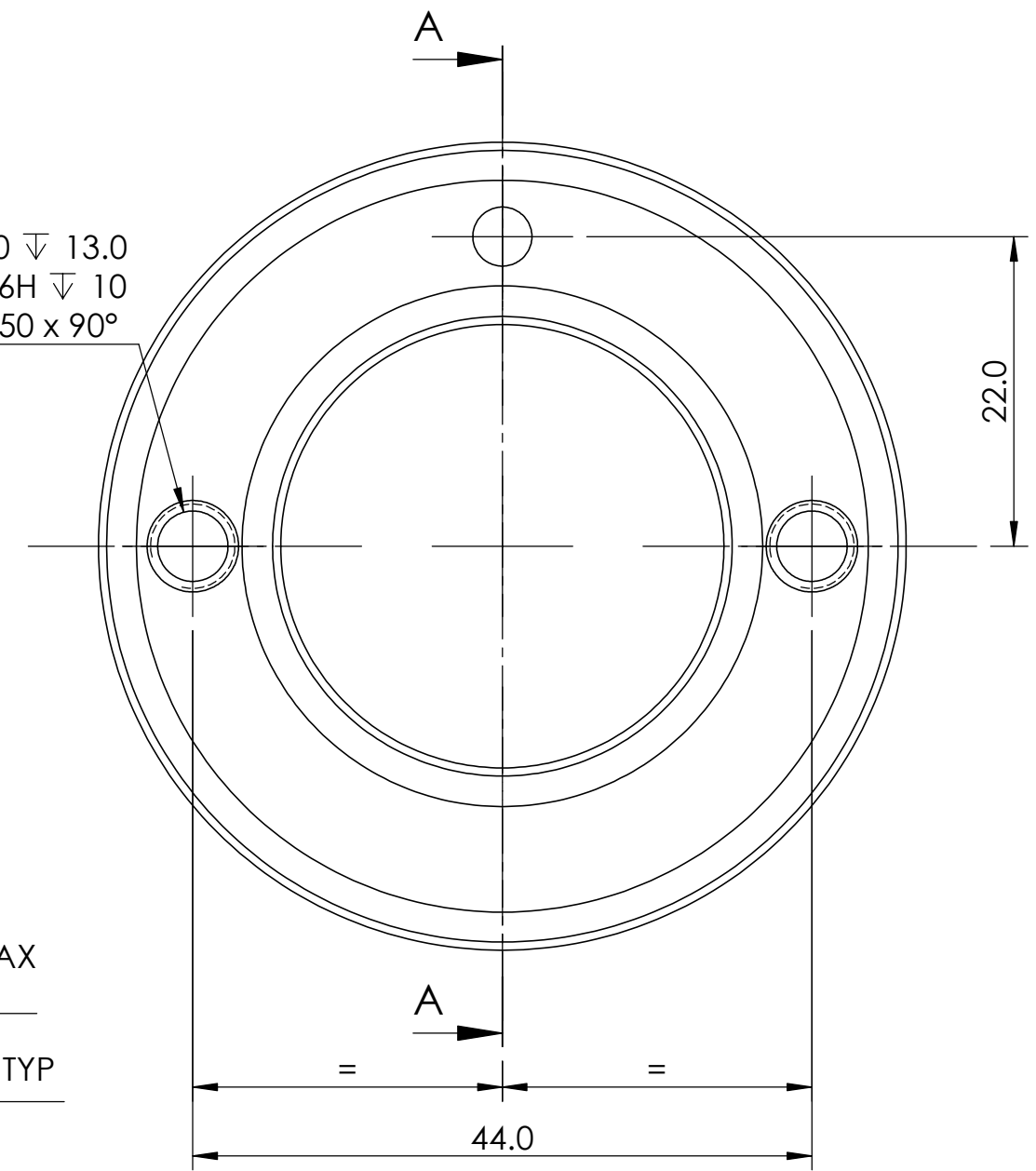


SECTION A-A

2 x ϕ 5.00 ∇ 13.0
 M6x1.0 - 6H ∇ 10
 \surd ϕ 6.50 x 90°



DETAIL B
 TYPICAL SEAL GROOVE DETAIL
 2x EXTERNAL O RING SIZE BS-034
 2x INTERNAL O RING SIZE BS-026

Rev	ECN No	Description	Date	Drawn by	Checked by
2.0	0453	THREAD WAS 1/4"-28 UNF. RUNOUT WAS CONCENTRICITY 0.025	08/06/2018	CCR	IMI
1.0	--	FIRST ISSUE	03/07/2013	IMI	AC

General Limits
 unless otherwise stated

Break Sharp Corners	x.xxx [x.xxx] ± 0.02
0.25 Fillet Radii	x.xx [x.xxx] ± 0.1
T.I.R. 0.25	
Parallelism 1 in 250	x.x [x.xxx] ± 0.25
Squareness 1 in 250	
Angular Degree ± 0.5	
Surface 1.6 RA	x [x.xxx] ± 0.5

MATERIAL/B.O.M. ZMS-010		FINISH NONE		HEAT TREATMENT NONE	
DESIGNED BY			CHECKED BY		
PROJECT			TITLE/NAME		
PROJECTION 		SHEET SIZE A3 PRINT FULL SIZE		DRAWING NUMBER 002962	
REVISION 02.0				SHEET 1 of 1	