

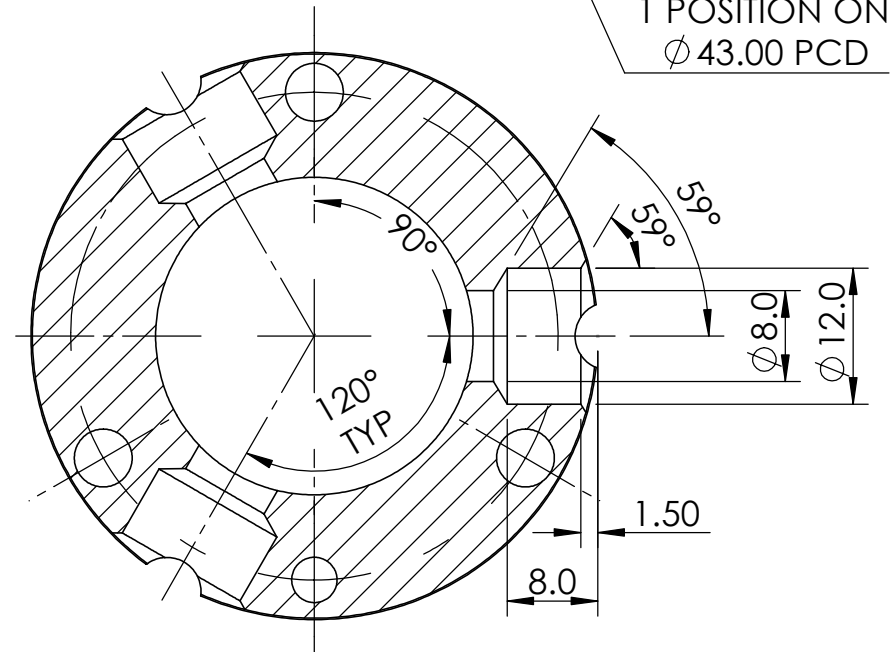
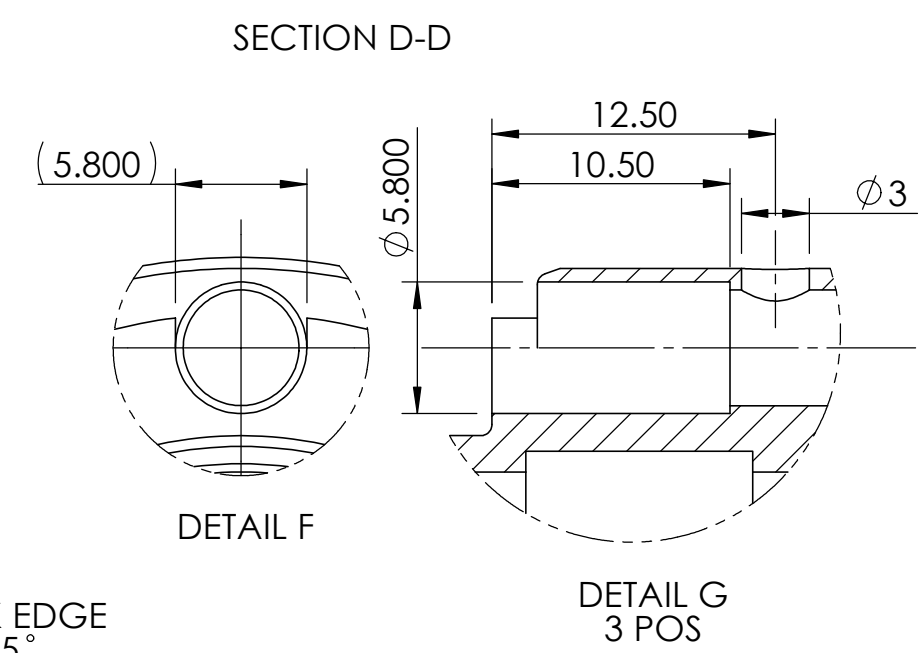
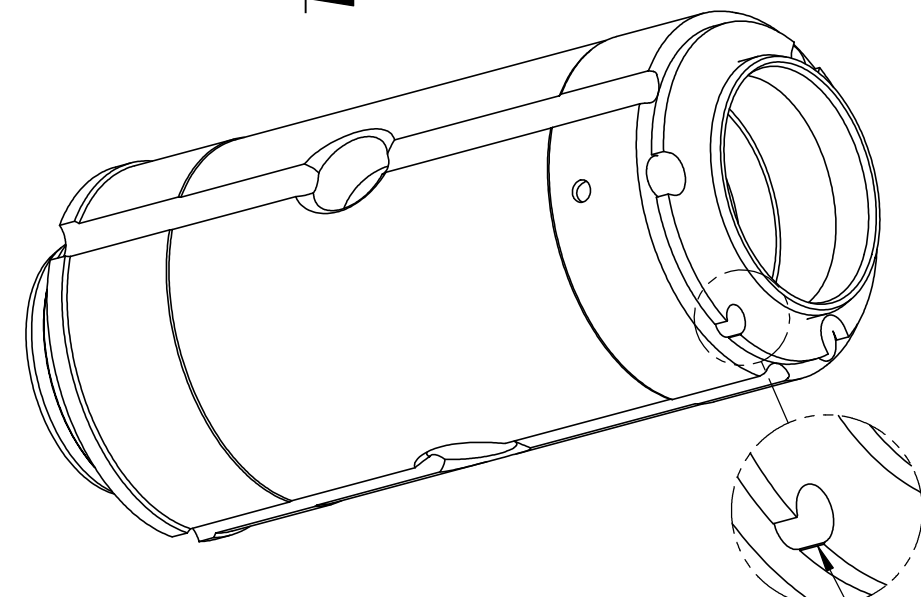
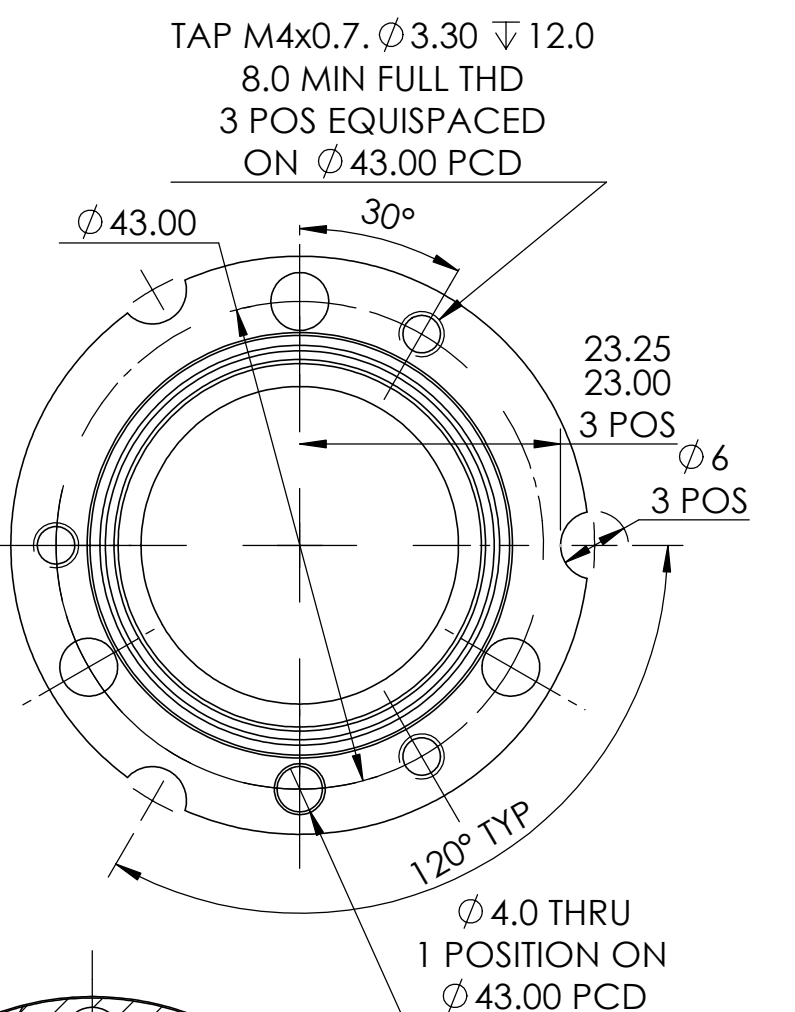
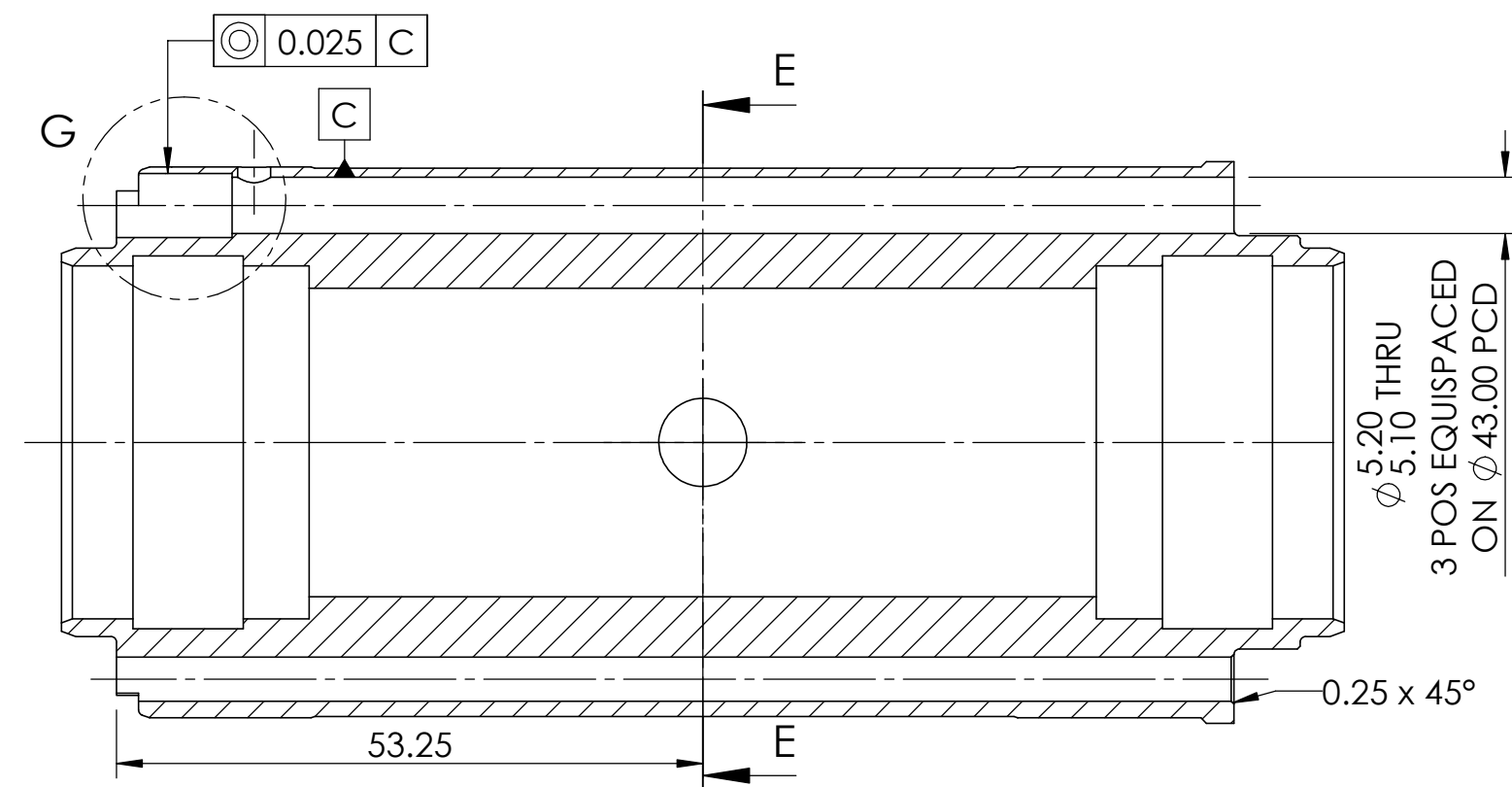
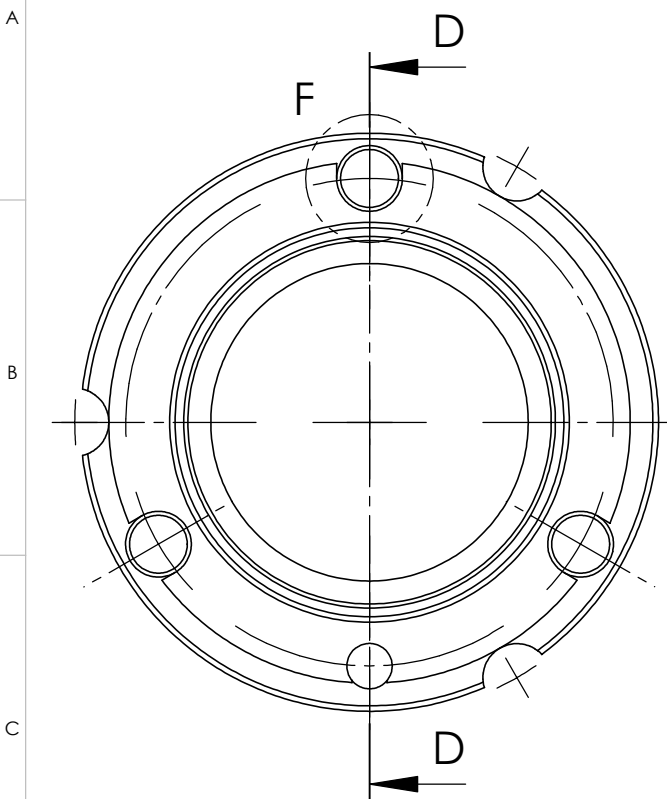
NOTES:
 1. TURNING DETAIL ONLY ON PAGE 1.
 2. MILLING DETAILS ON PAGE 2.

Rev	ECN No	Description	Date	Drawn by	Checked by
2.1	-	BORDER UPDATED	28/11/2017	RLG	IMI
2.0	136	33.865/33.835 WAS 33.70/33.67	01/10/2013	AR	RLG
1.0	-	RELEASED	04/03/2013	IMI	RMC

General Limits
 unless otherwise stated

Break Sharp Corners	x.xxx [x.xxx] ± 0.02
0.25	
Fillet Radii 0.8	x.xx [x.xxx] ± 0.1
T.I.R. 0.25	
Parallelism 1 in 250	x.x [x.xxx] ± 0.25
Squareness 1 in 250	
Angular Degree ± 0.5	
Surface 1.6 RA	x [x.xxx] ± 0.5

MATERIAL/B.O.M. ZMS-010		FINISH -		HEAT TREATMENT -	
PROJECT			CHECKED BY		
PROJECTION 			TITLE/NAME		
SHEET SIZE A3		PRINT FULL SIZE		DRAWING NUMBER 002548	
REVISION 02.1				SHEET 1 of 2	
DATE DRAWN 04/03/2013					



BREAK EDGE
0.25x45°
2 POS ON Ø 4.0 THRU HOLE

SECTION E-E
OIL PORT DETAIL
3 POS 120° APART

Rev	ECN No	Description	Date	Drawn by	Checked by
2.1	-	BORDER UPDATED	28/11/2017	RLG	IMI
2.0	136	33.865/33.835 WAS 33.70/33.67	01/10/2013	AR	RLG
1.0	-	RELEASED	04/03/2013	IMI	RMC

General Limits
unless otherwise stated

Break Sharp Corners	x.xxx [x.xxx] ± 0.02
0.25	
Fillet Radii 0.8	x.xx [x.xxx] ± 0.1
T.I.R. 0.25	
Parallelism 1 in 250	x.x [x.xxx] ± 0.25
Squareness 1 in 250	
Angular Degree ± 0.5	
Surface 1.6 RA	x [x.xxx] ± 0.5

MATERIAL/B.O.M. ZMS-010		FINISH -		HEAT TREATMENT -	
DESIGNED BY			CHECKED BY		
PROJECT			TITLE/NAME		
PROJECTION 		SHEET SIZE A3 PRINT FULL SIZE		DRAWING NUMBER 002548	
REVISION 02.1				SHEET 2 of 2	
DATE DRAWN 04/03/2013					