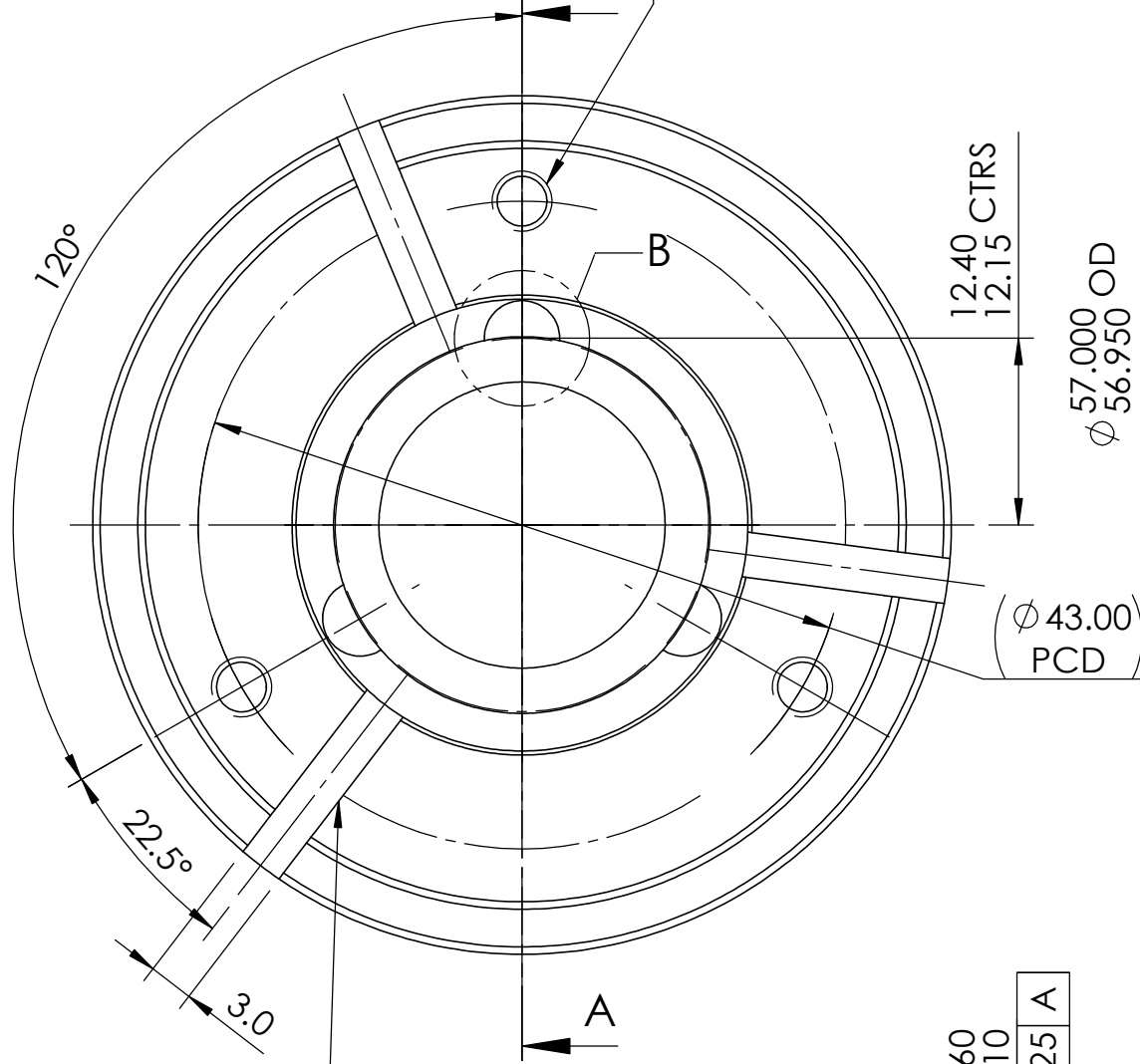
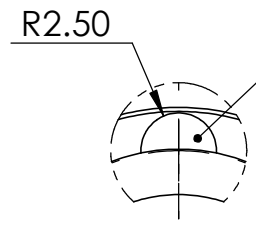


3x EQUI-SPACED HOLES
 $\phi 3.30 \nabla 16.0$
 M4 - 6H $\nabla 12.0$
 ON A $\phi 43.00$ PCD



3 EQUI-SPACED SLOTS
 4.0 DEEP FROM OUTER
 FACE. (1.0 DEEP FROM
 RECESS FACE)



FORM SCALLOP
 3 PLACES
 0.5 DEEP
 (REF DETAIL F)

DETAIL B

12.40 CTRS
 12.15

$\phi 57.000$ OD
 $\phi 56.950$
 3 PLACES

$\phi 0.025$ A

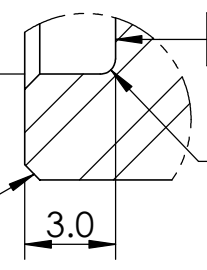
$\phi 54.20$
 $\phi 54.10$
 2 PLACES

$\phi 0.025$ A

$\phi 50.060$
 $\phi 50.010$
 3 PLACES

$\phi 0.025$ A

0.5 x 45°
 2 POS

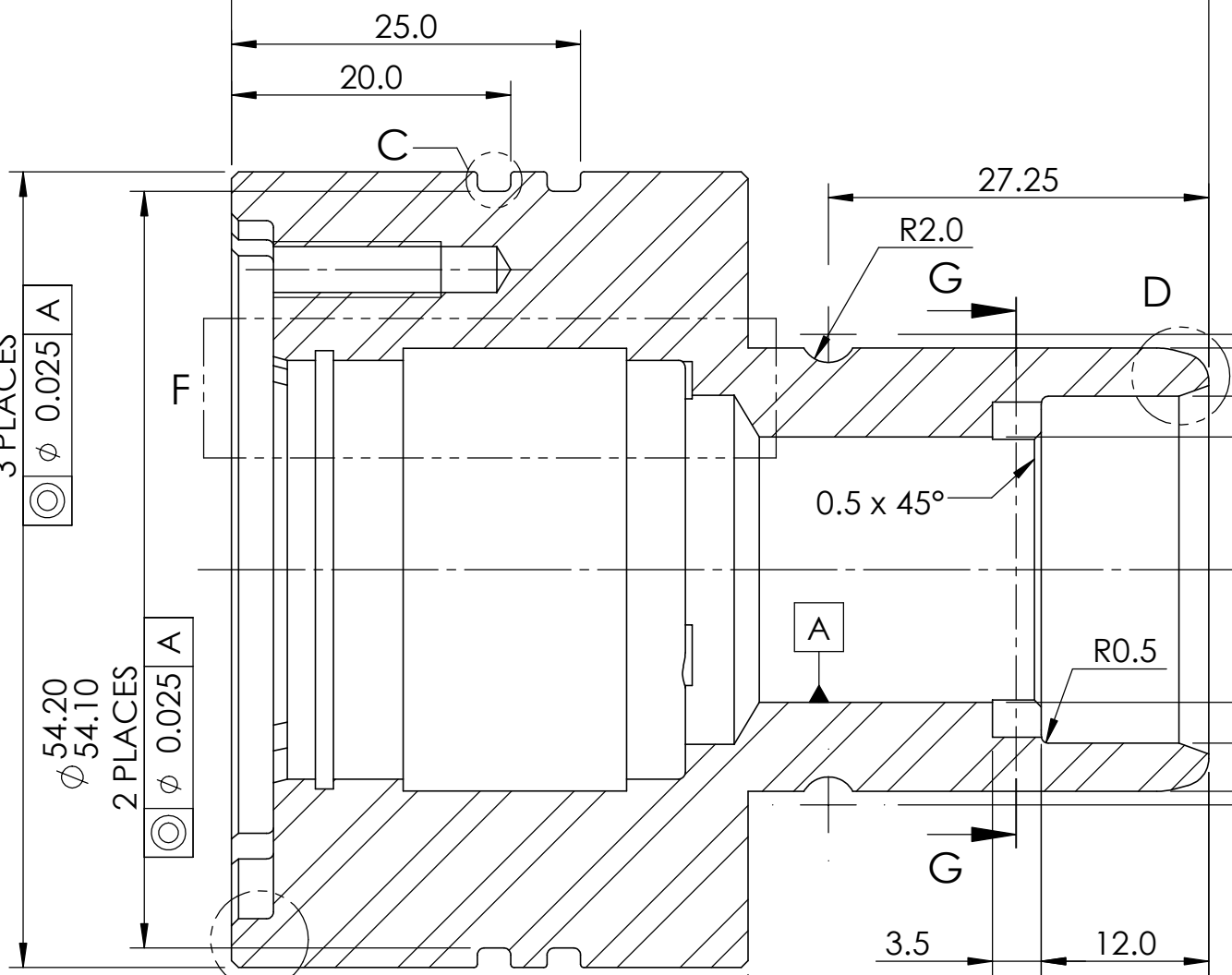


0.025 A

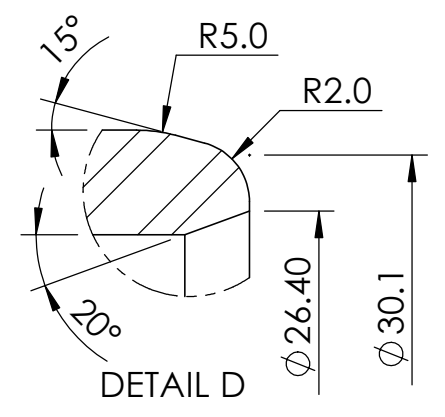
R0.5 MAX

DETAIL E

70.0 O/A

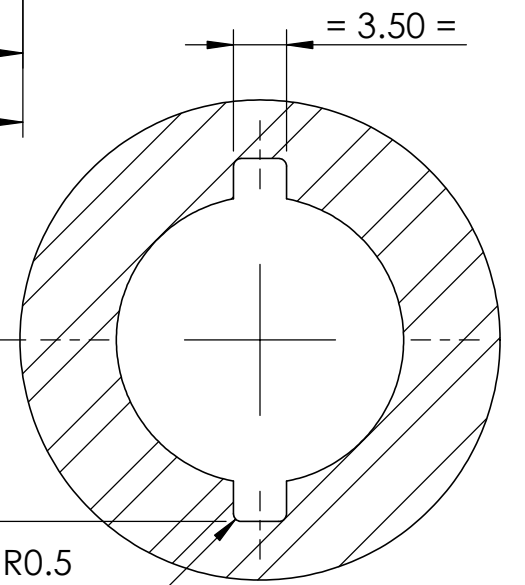


SECTION A-A



DETAIL D

$\phi 19.00$ ID
 $\phi 24.892$
 $\phi 24.842$
 $\phi 0.025$ A
 $\phi 31.814$
 $\phi 31.687$
 $\phi 33.7$



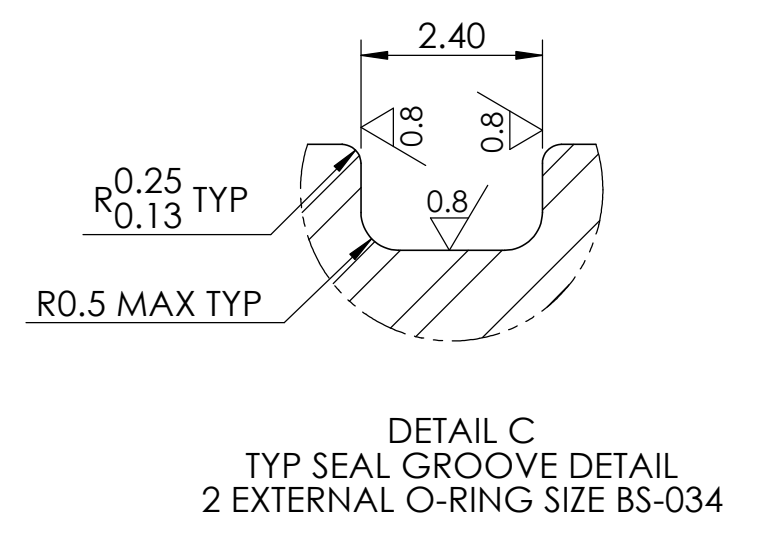
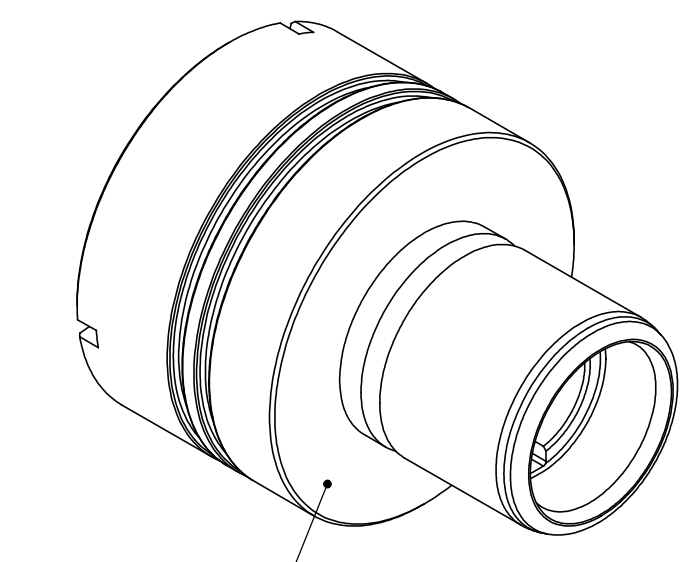
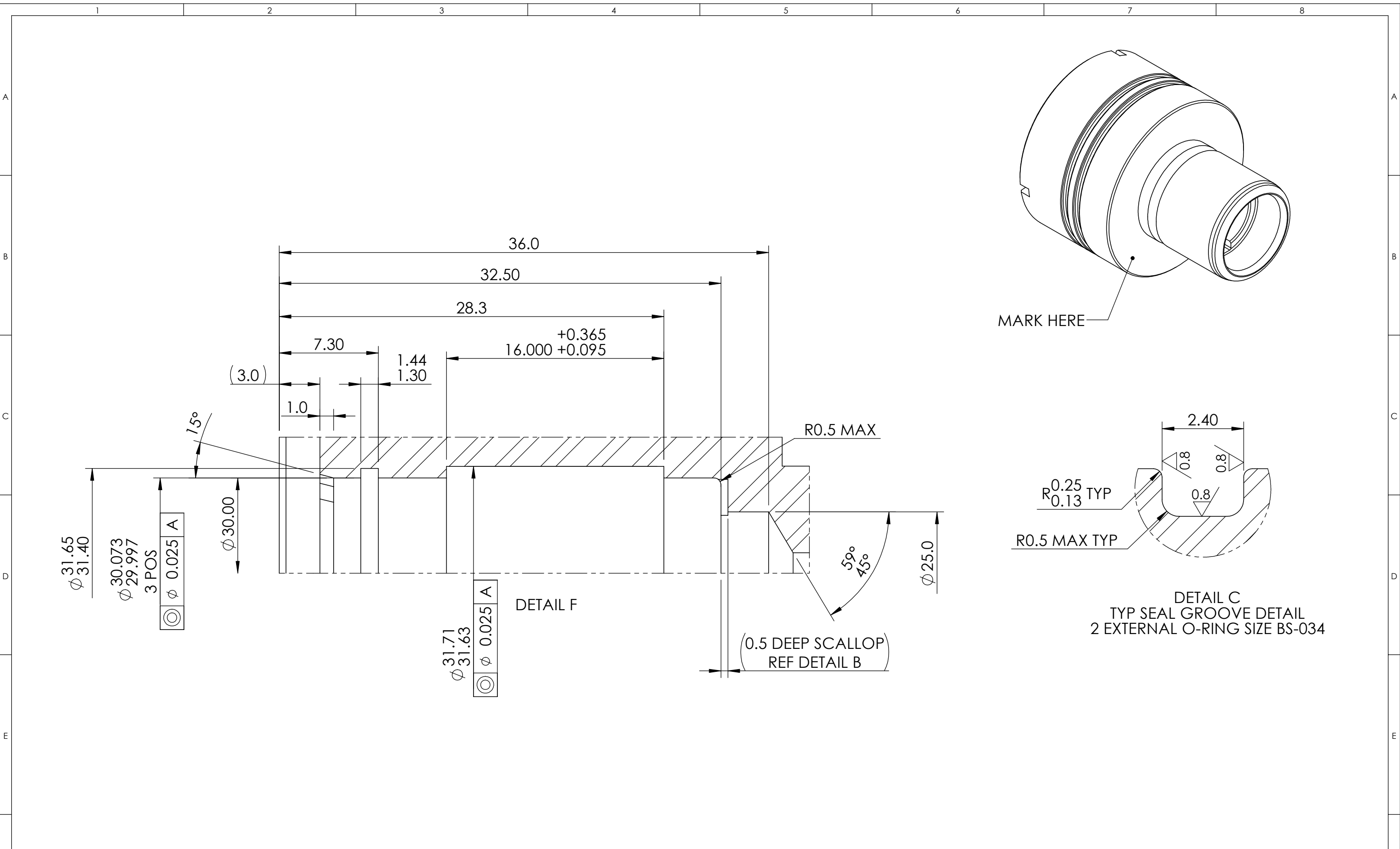
SECTION G-G
 SLOT DETAIL 2@180°

General Limits
 unless otherwise stated

Break Sharp Corners	x.xxx [x.xxx] ± 0.02
0.25	
Fillet Radii 0.8	x.xx [x.xxx] ± 0.1
T.I.R. 0.25	
Parallelism 1 in 250	x.x [x.xxx] ± 0.25
Squareness 1 in 250	
Angular Degree ± 0.5	
Surface 1.6 RA	x [x.xxx] ± 0.5

MATERIAL/B.O.M. ZMS-010		FINISH ZTS-001 / QPQ		HEAT TREATMENT NONE	
DRAWN BY			CHECKED BY		
PROJECT			TITLE/NAME		
PROJECTION		SHEET SIZE A3 PRINT FULL SIZE		DRAWING NUMBER 005732	
REVISION 01.0				SHEET 1 of 2	

01.0	--	ISSUED	01/05/2017	CCr	IMI
Rev	ECN No	Description	Date	Designed by	Checked by



DETAIL F

(0.5 DEEP SCALLOP)
REF DETAIL B

01.0	--	ISSUED	01/05/2017	CCr	IMI
Rev	ECN No	Description	Date	Designed by	Checked by
1			2		

<p>General Limits unless otherwise stated</p> <p>Break Sharp Corners 0.25 Fillet Radii 0.8 T.I.R. 0.25 Parallelism 1 in 250 Squareness 1 in 250 Angular Degree ±0.5 Surface 1.6 RA</p>		<p>MATERIAL/B.O.M. ZMS-010</p>		<p>FINISH ZTS-001 / QPQ</p>		<p>HEAT TREATMENT NONE</p>	
		<p>DRAWN BY</p>		<p>CHECKED BY</p>		<p>DATE DRAWN 01/05/2017</p>	
<p>PROJECT</p>			<p>TITLE/NAME</p>				
<p>PROJECTION</p>		<p>SHEET SIZE A3 PRINT FULL SIZE</p>		<p>DRAWING NUMBER 005732</p>		<p>REVISION 01.0</p>	<p>SHEET 2 of 2</p>