

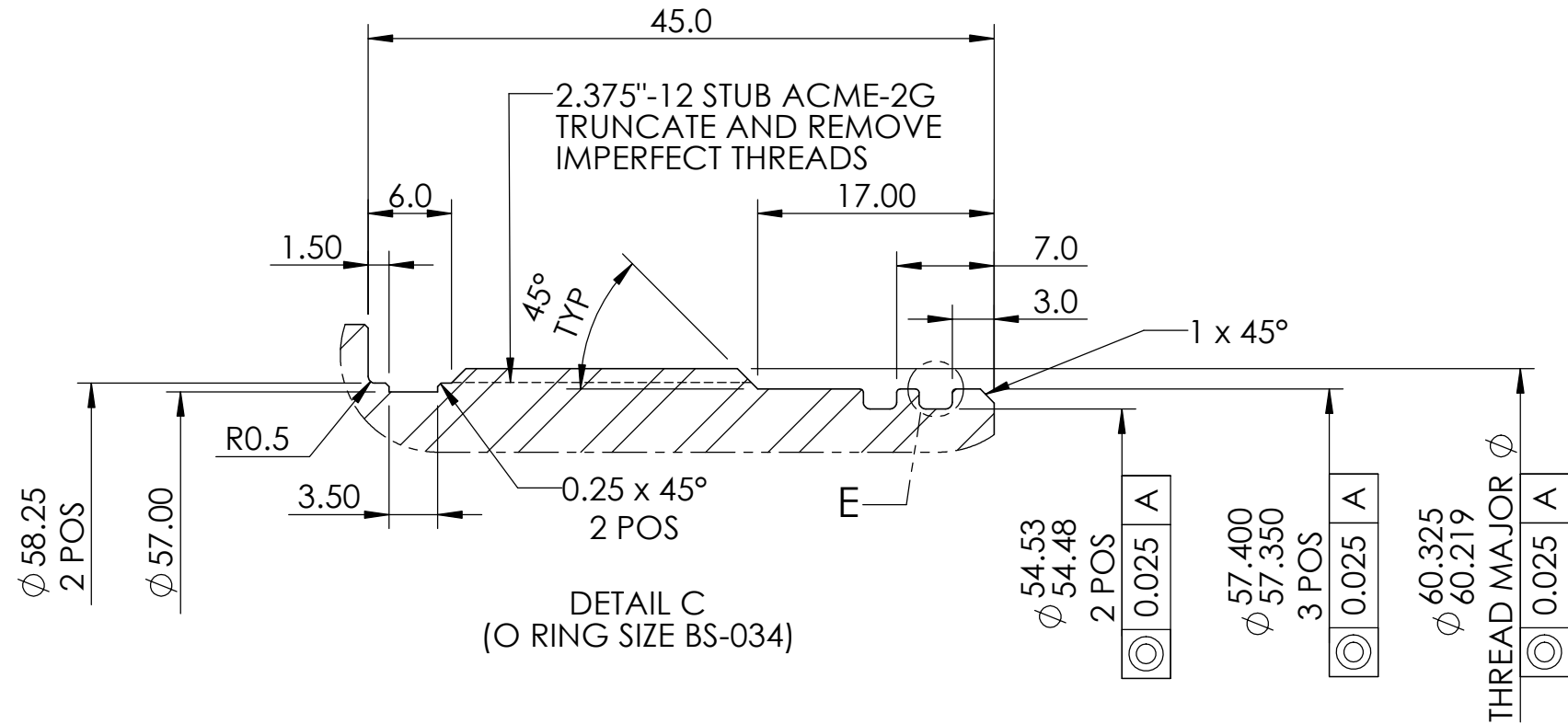
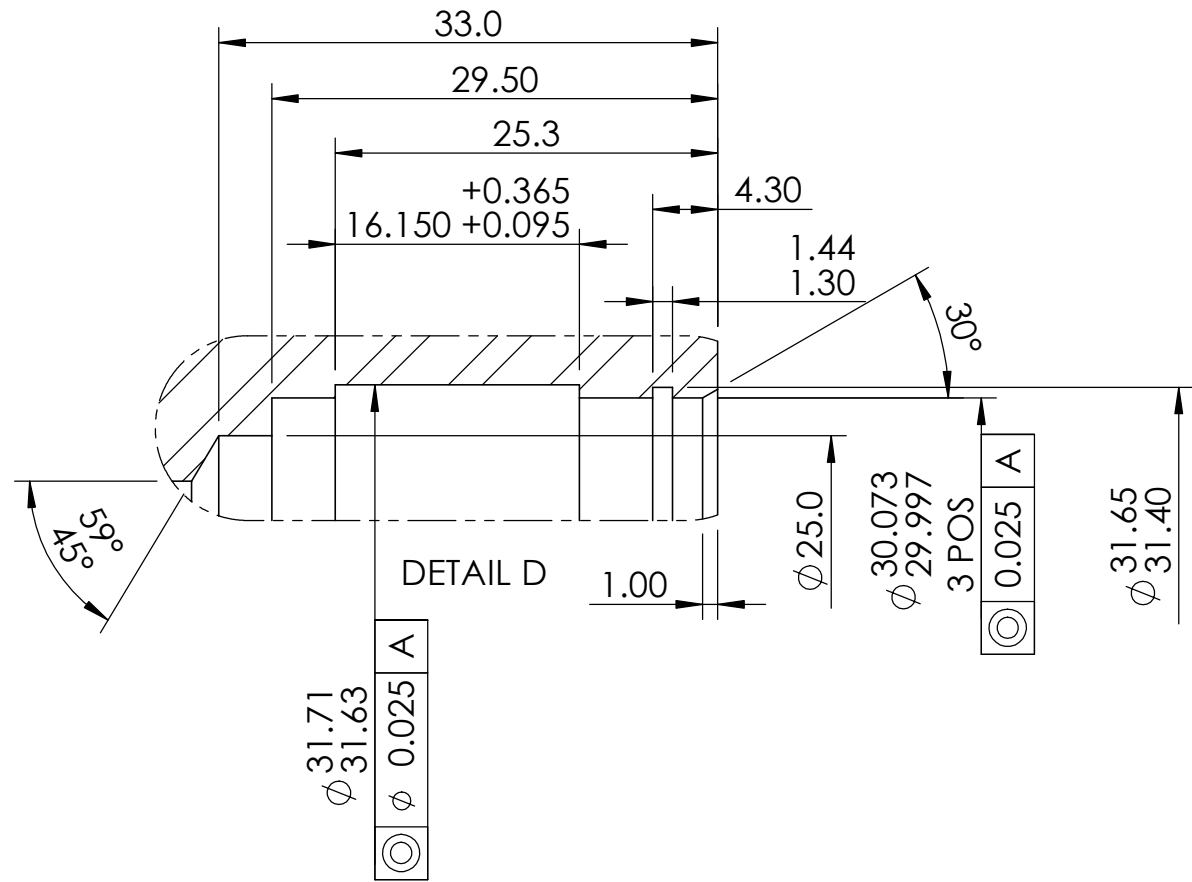
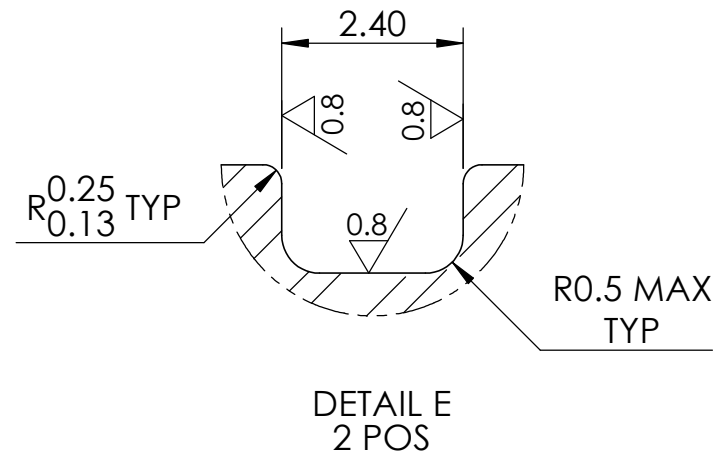
NOTES:-
 1. PRIOR TO COATING, COIN SEAT USING CUT A2500263A AND PROCEDURE OUTLINED IN LEE PRODUCTS PROCESS SPECIFICATION PS 1013.

Rev	ECN No	Description	Date	Designed by	Checked by
01.0	--	ISSUED	01/05/2017	CCr	IMI

General Limits
 unless otherwise stated

Break Sharp Corners	x.xxx [x.xxx] ± 0.02
0.25	
Fillet Radii 0.8	x.xx [x.xxx] ± 0.1
T.I.R. 0.25	
Parallelism 1 in 250	x.x [x.xxx] ± 0.25
Squareness 1 in 250	
Angular Degree ± 0.5	
Surface 1.6 RA	x [x.xxx] ± 0.5

MATERIAL/B.O.M. ZMS-010		FINISH ZTS-001 / QPQ		HEAT TREATMENT NONE	
DRAWN BY			CHECKED BY		
PROJECT			TITLE/NAME		
PROJECTION		SHEET SIZE A3 PRINT FULL SIZE		DRAWING NUMBER 005731	
				REVISION 01.0	
				SHEET 1 of 3	



Rev	ECN No	Description	Date	Designed by	Checked by
01.0	--	ISSUED	01/05/2017	CCr	IMI

General Limits
unless otherwise stated

Break Sharp Corners	x.xxx [x.xxx] ±0.02
0.25	
Fillet Radii 0.8	x.xx [x.xxx] ± 0.1
T.I.R. 0.25	
Parallelism 1 in 250	x.x [x.xxx] ± 0.25
Squareness 1 in 250	
Angular Degree ±0.5	
Surface 1.6 RA	x [x.xxx] ± 0.5

MATERIAL/B.O.M.

ZMS-010

FINISH

ZTS-001 / QPQ

HEAT TREATMENT

NONE

DRAWN BY

CHECKED BY

DATE DRAWN

01/05/2017

PROJECT

TITLE/NAME

PROJECTION



SHEET SIZE

A3

PRINT FULL SIZE

DRAWING NUMBER

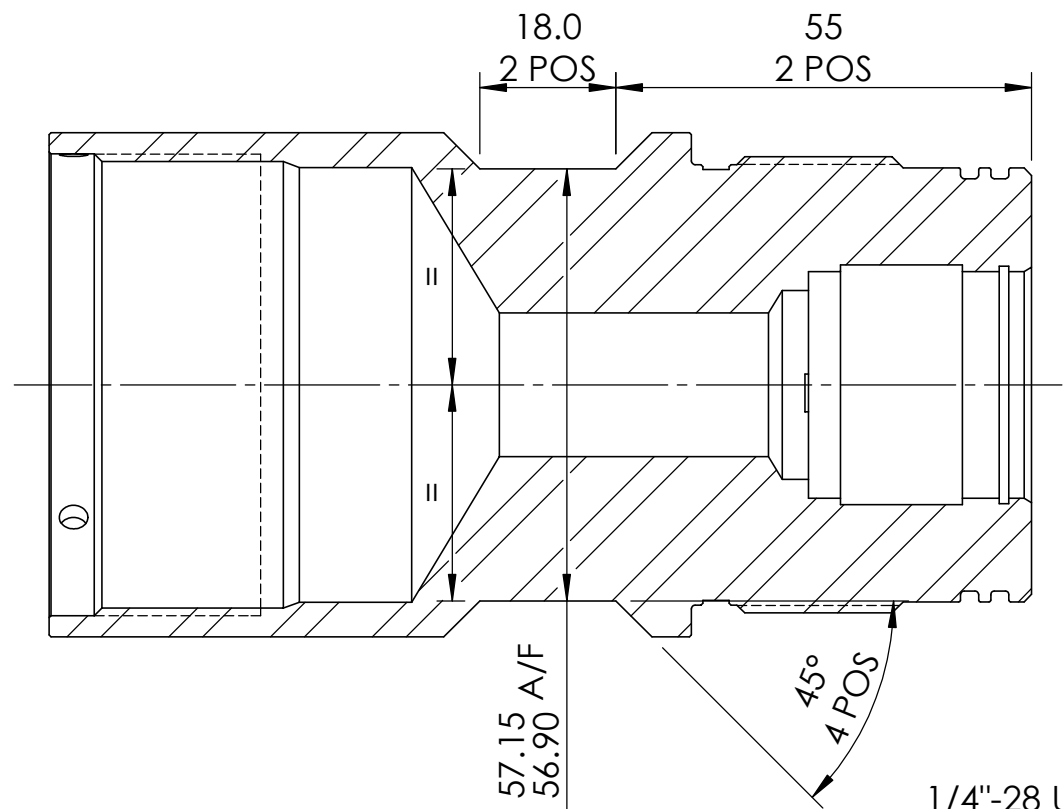
005731

REVISION

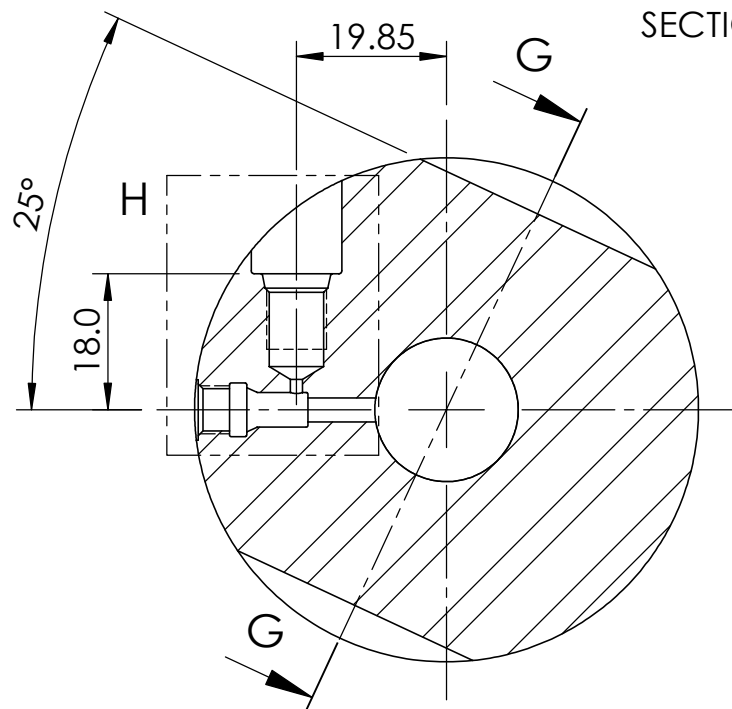
01.0

SHEET

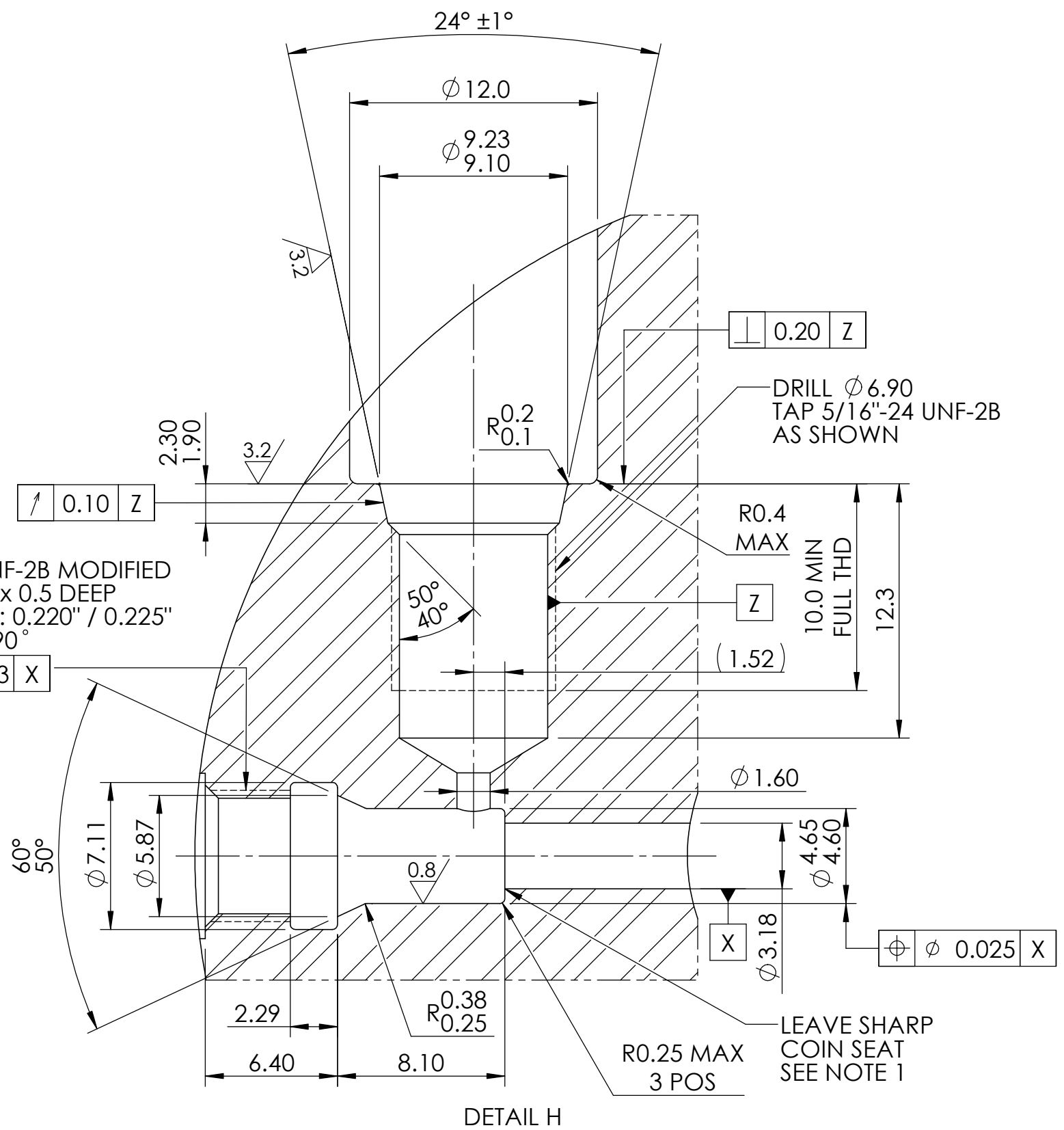
2 of 3



SECTION G-G



SECTION B-B



DETAIL H

1/4"-28 UNF-2B MODIFIED
 □ ϕ 8.0 x 0.5 DEEP
 MINOR ϕ : 0.220" / 0.225"
 \sphericalangle 6.9 x 90°
 ⊕ ϕ 0.13 X

01.0	--	ISSUED	01/05/2017	CCr	IMI
Rev	ECN No	Description	Date	Designed by	Checked by
1			2		

General Limits
 unless otherwise stated

Break Sharp Corners	x.xxx [x.xxx] ± 0.02
0.25	
Fillet Radii 0.8	x.xx [x.xxx] ± 0.1
T.I.R. 0.25	
Parallelism 1 in 250	x.x [x.xxx] ± 0.25
Squareness 1 in 250	
Angular Degree ± 0.5	
Surface 1.6 RA	x [x.xxx] ± 0.5

MATERIAL/B.O.M. ZMS-010		FINISH ZTS-001 / QPQ		HEAT TREATMENT NONE	
DRAWN BY			CHECKED BY		
PROJECT			TITLE/NAME		
PROJECTION 		SHEET SIZE A3 PRINT FULL SIZE		DRAWING NUMBER 005731	
REVISION 01.0				SHEET 3 of 3	