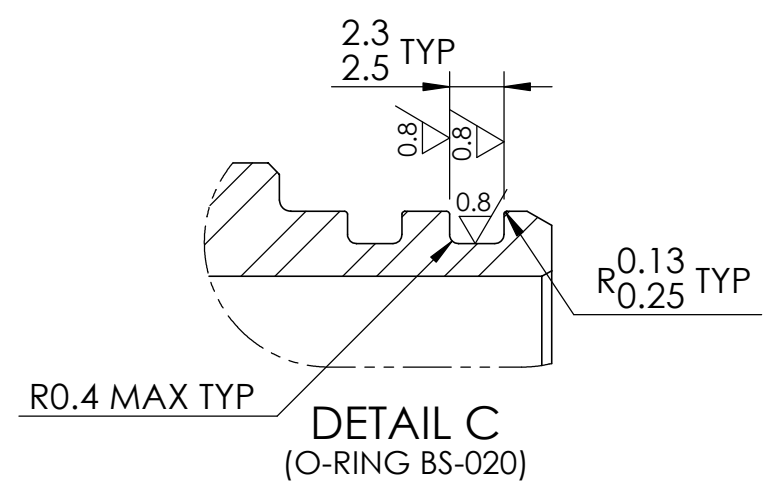
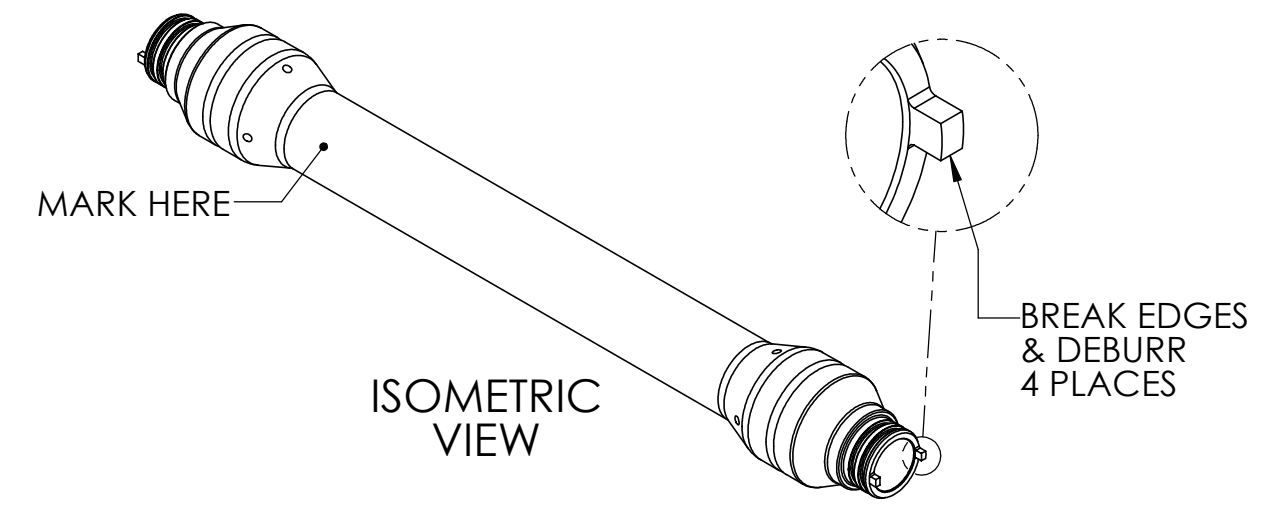


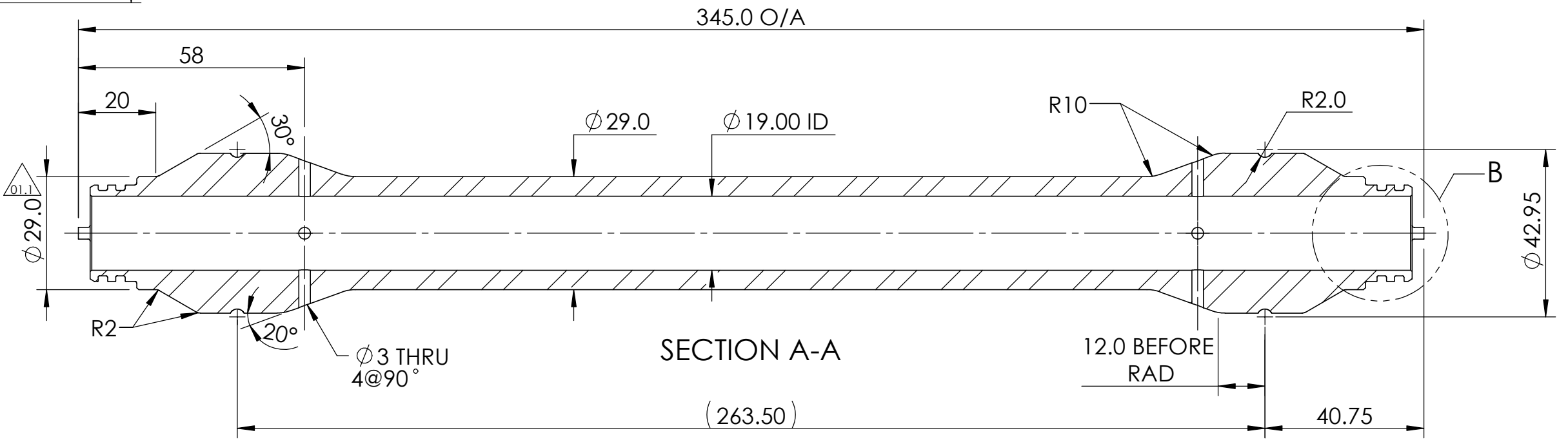
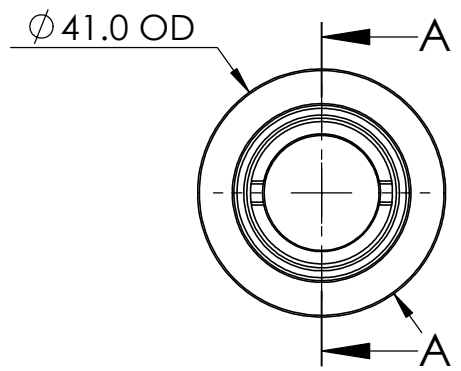
SECTION D-D



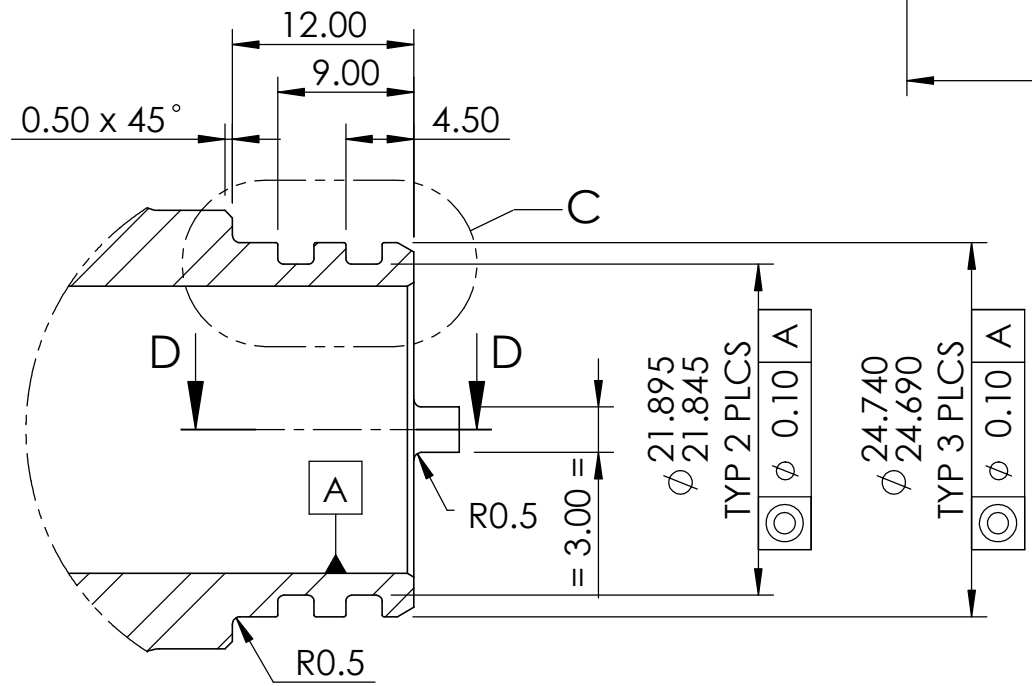
DETAIL C
(O-RING BS-020)



ISOMETRIC VIEW



SECTION A-A



DETAIL B

PART SYMMETRICAL BOTH ENDS

Rev	ECN No	Description	Date	Designed by	Checked by
01.1	--	MISSING $\phi 29.0$ ADDED	07/09/2017	CCr	IMI
01.0	--	ISSUED	19/07/2017	CCr	RG

General Limits
unless otherwise stated

Break Sharp Corners	x.xxx [x.xxx] ± 0.02
0.25	
Fillet Radii 0.8	x.xx [x.xxx] ± 0.1
T.I.R. 0.25	
Parallelism 1 in 250	x.x [x.xxx] ± 0.25
Squareness 1 in 250	
Angular Degree ± 0.5	
Surface 1.6 RA	x [x.xxx] ± 0.5

MATERIAL/B.O.M. ZMS-010		FINISH ZTS-001 / QPQ		HEAT TREATMENT NONE	
DRAWN BY			CHECKED BY		
PROJECT			TITLE/NAME		
PROJECTION 		SHEET SIZE A3 PRINT FULL SIZE		DRAWING NUMBER 005875	
REVISION 01.1				SHEET 1 of 1	