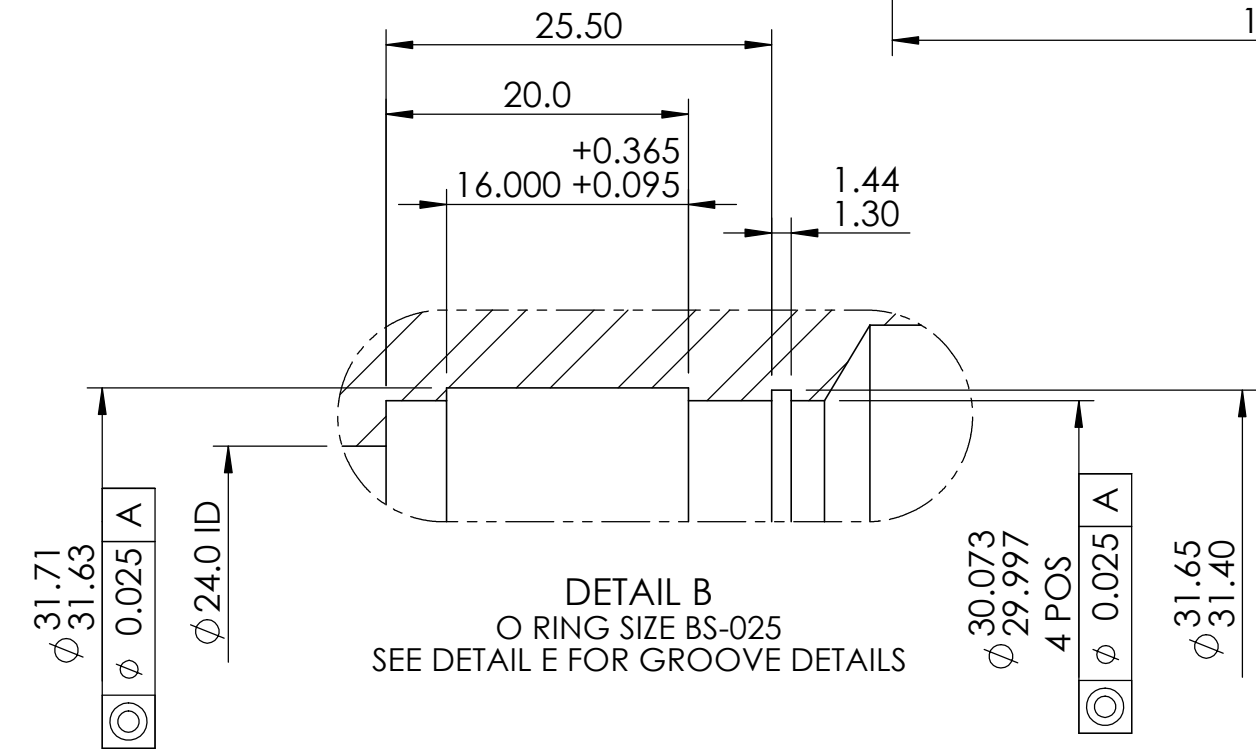


SECTION A-A



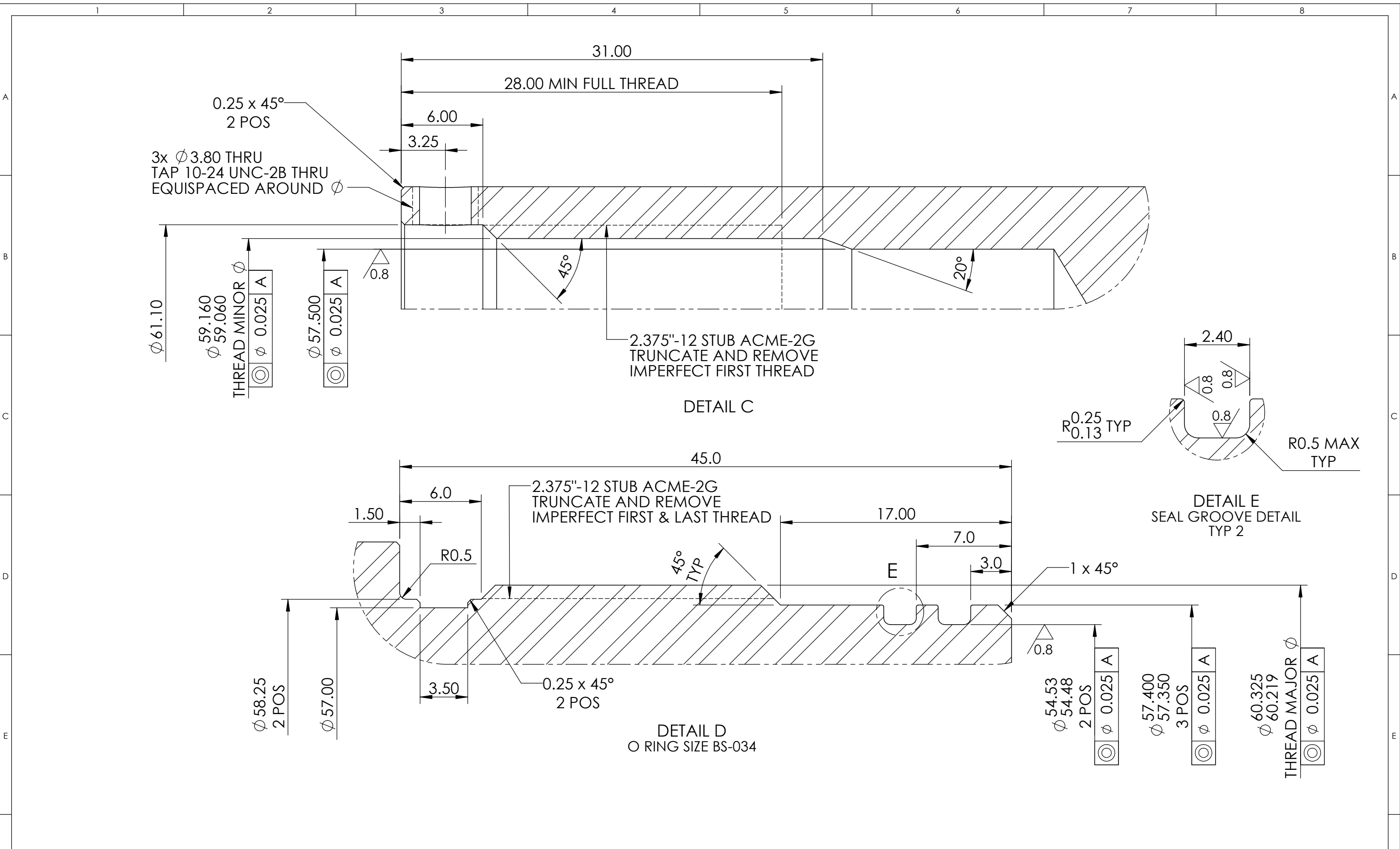
DETAIL B
O RING SIZE BS-025
SEE DETAIL E FOR GROOVE DETAILS

General Limits
unless otherwise stated

| | |
|----------------------|----------------------|
| Break Sharp Corners | x.xxx [x.xxx] ± 0.02 |
| 0.25 | |
| Fillet Radii 0.8 | x.xx [x.xxx] ± 0.1 |
| T.I.R. 0.25 | |
| Parallelism 1 in 250 | x.x [x.xxx] ± 0.25 |
| Squareness 1 in 250 | |
| Angular Degree ± 0.5 | |
| Surface 1.6 RA | x [x.xxx] ± 0.5 |

| | | | |
|-----------------------------------|--|---------------------------------|---------------------------------|
| MATERIAL/B.O.M. ZMZ-010 | | FINISH ZTS-001 / QPQ | HEAT TREATMENT NONE |
| DRAWN BY | | CHECKED BY | DATE DRAWN 01/05/2017 |
| PROJECT | | TITLE/NAME | |
| PROJECTION FIRST ANGLE | SHEET SIZE A3 PRINT FULL SIZE | DRAWING NUMBER 005737 | REVISION 01.0 |
| | | | SHEET 1 of 2 |

| | | | | | |
|------------|---------------|--------------------|-------------|--------------------|-------------------|
| 01.0 | -- | ISSUED | 01/05/2017 | CCr | IMI |
| Rev | ECN No | Description | Date | Designed by | Checked by |
| 1 | | | 2 | | |



| 01.0 | -- | ISSUED | 01/05/2017 | CCr | IMI |
|------|--------|-------------|------------|-------------|------------|
| Rev | ECN No | Description | Date | Designed by | Checked by |
| 1 | | | 2 | | |

| | |
|--|----------------------|
| General Limits unless otherwise stated | |
| Break Sharp Corners | x.xxx [x.xxx] ± 0.02 |
| 0.25 | |
| Fillet Radii 0.8 | x.xx [x.xxx] ± 0.1 |
| T.I.R. 0.25 | |
| Parallelism 1 in 250 | x.x [x.xxx] ± 0.25 |
| Squareness 1 in 250 | |
| Angular Degree ± 0.5 | |
| Surface 1.6 RA | x [x.xxx] ± 0.5 |

| | | | | | |
|-----------------------------------|--|---|-------------------|---------------------------------|--|
| MATERIAL/B.O.M. ZMZ-010 | | FINISH ZTS-001 / QPQ | | HEAT TREATMENT NONE | |
| DRAWN BY | | | CHECKED BY | | |
| PROJECT | | | TITLE/NAME | | |
| PROJECTION | | SHEET SIZE A3 PRINT FULL SIZE | | DRAWING NUMBER 005737 | |
| REVISION 01.0 | | | | SHEET 2 of 2 | |

| | |
|---------------------------------|--|
| DATE DRAWN 01/05/2017 | |
|---------------------------------|--|