

DETAIL E
SCALE 1 : 1

SECTION F-F

SECTION E-E

SECTION D-D

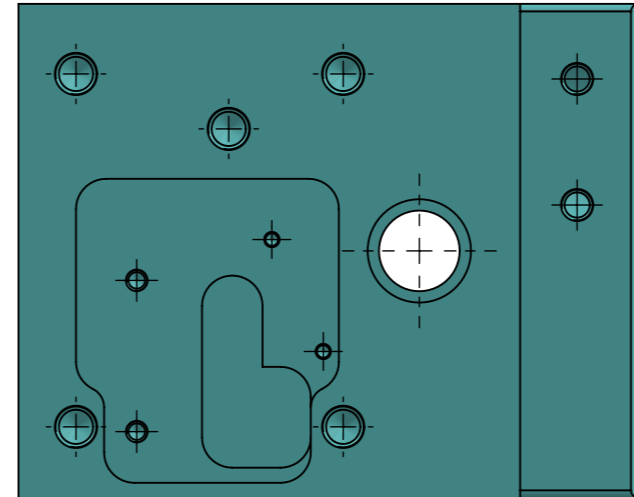
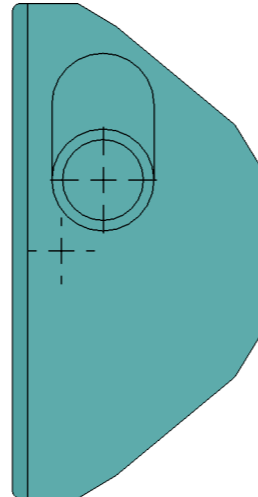
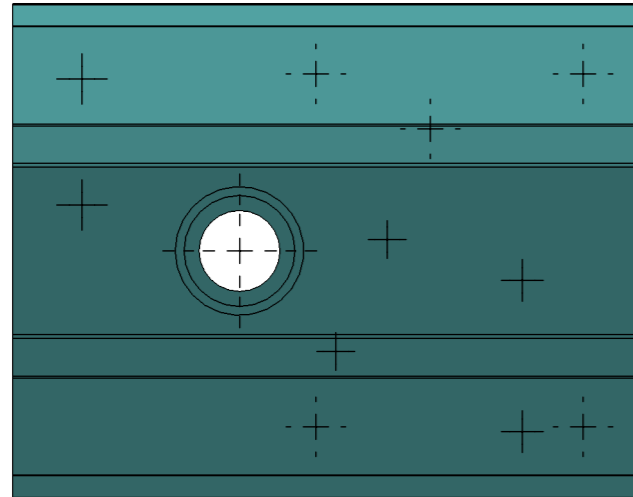
Part Right_Housing are fully symmetrical to Left_Housing. Mirror Plane A

NAME	SIGNATURE	DATE	Tolerances: DIN 7168 - m	TITLE:
DRAWN	RS		() Dimensions for information	Left & Right Housing
CHK'D			Thickness: mm	
			MATERIAL:	DWG NO.
			6061 Alloy	Left_Housing
			WEIGHT: 984.37	A3

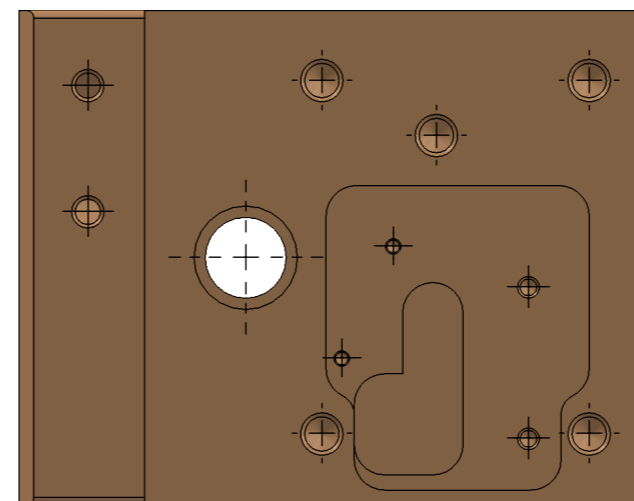
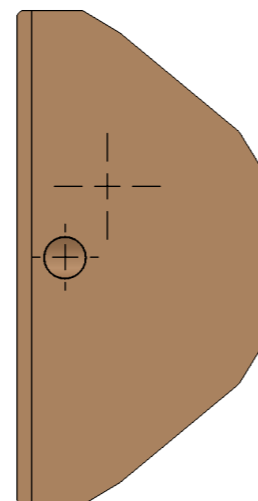
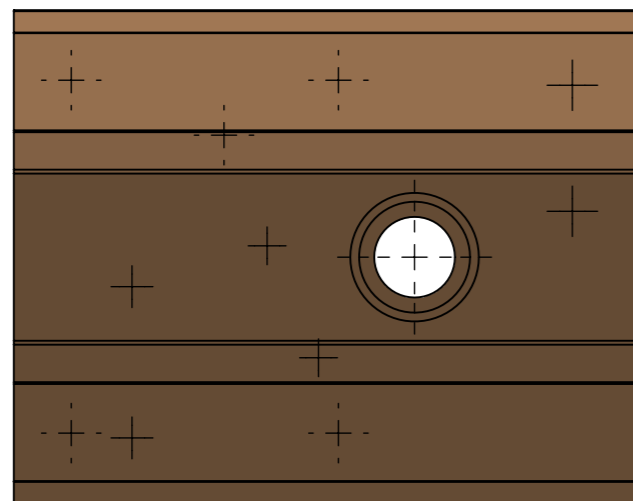
SCALE: 1:1.5

SHEET 1 OF 2

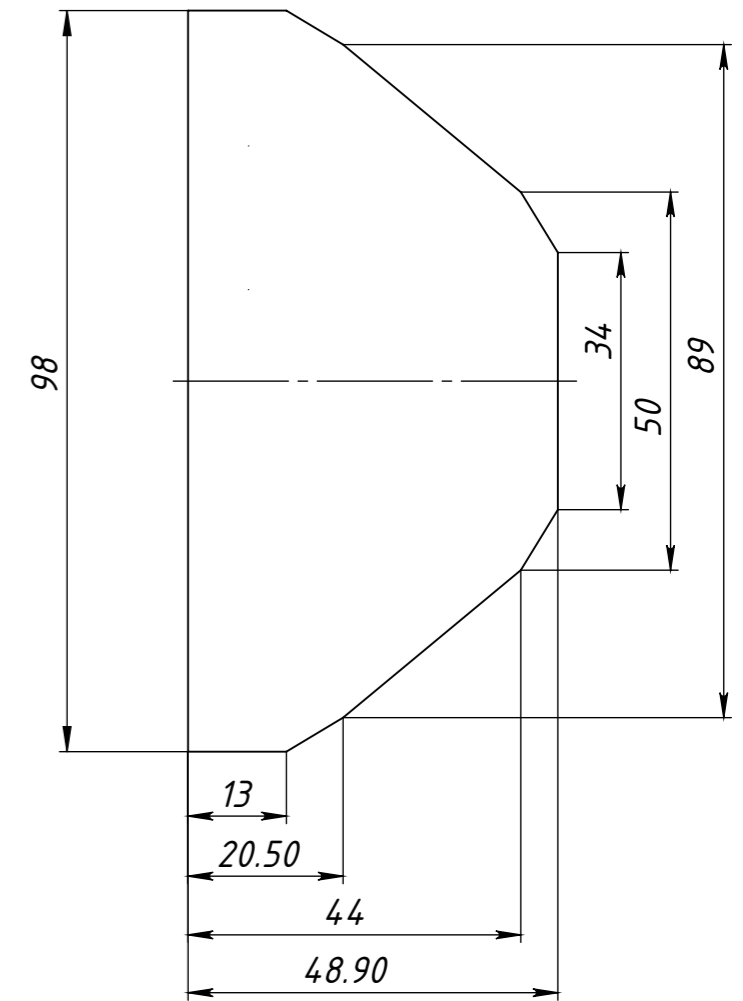
LEFT HOUSING



RIGHT HOUSING



EXTRUSION PROFILE



ALL AROUND R1.5 REMOVED FOR CLARITY

	NAME	SIGNATURE	DATE	Tolerances: DIN 7168 - m	TITLE:
DRAWN	RS			() Dimensions for information	Left & Right Parts
CHKD				Thickness: mm	
				MATERIAL:	DWG NO.
				6061 Alloy	Shuffer Housing
				WEIGHT: 984.37	A3
				SCALE: 1:1.5	SHEET 2 OF 2