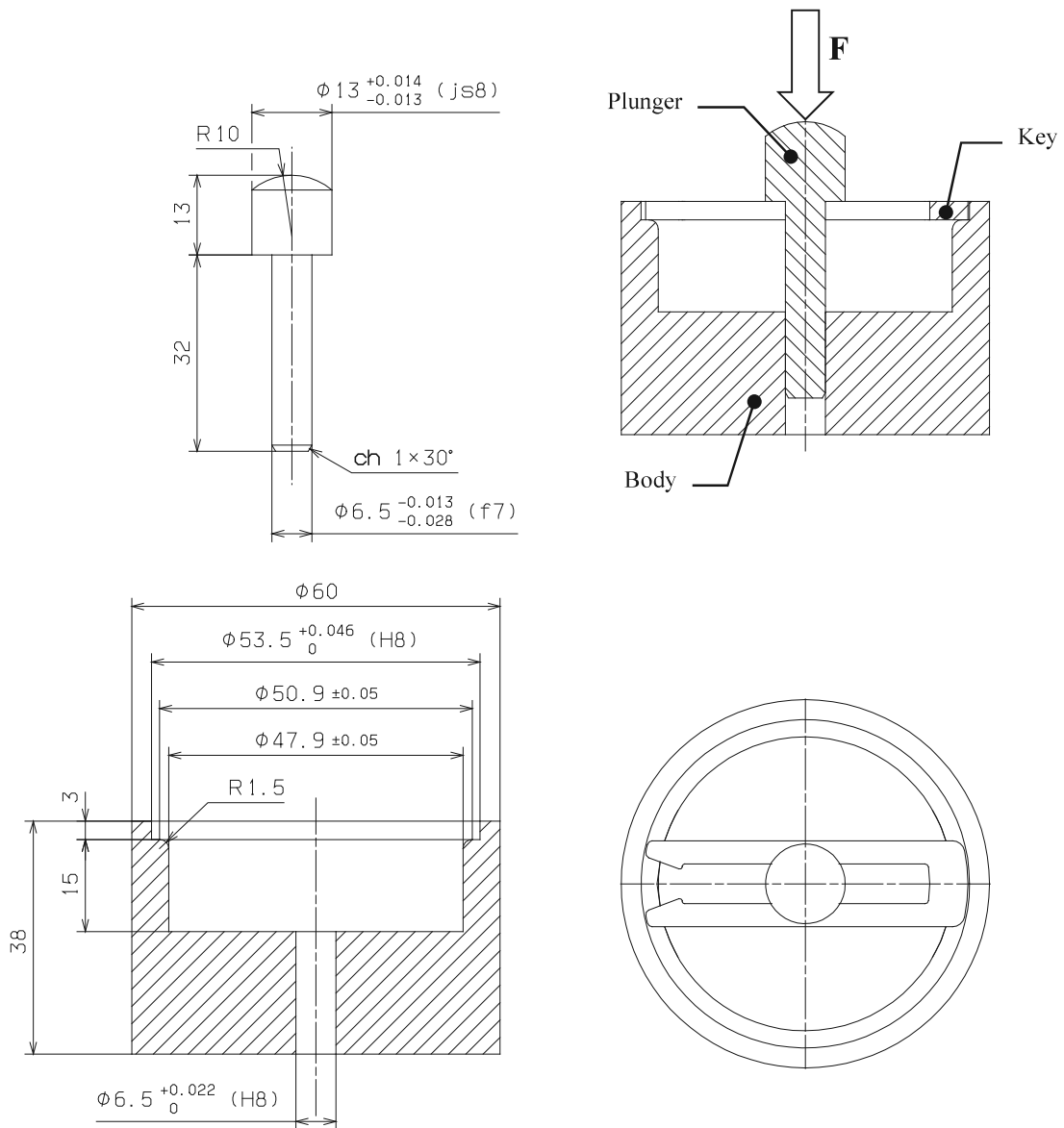


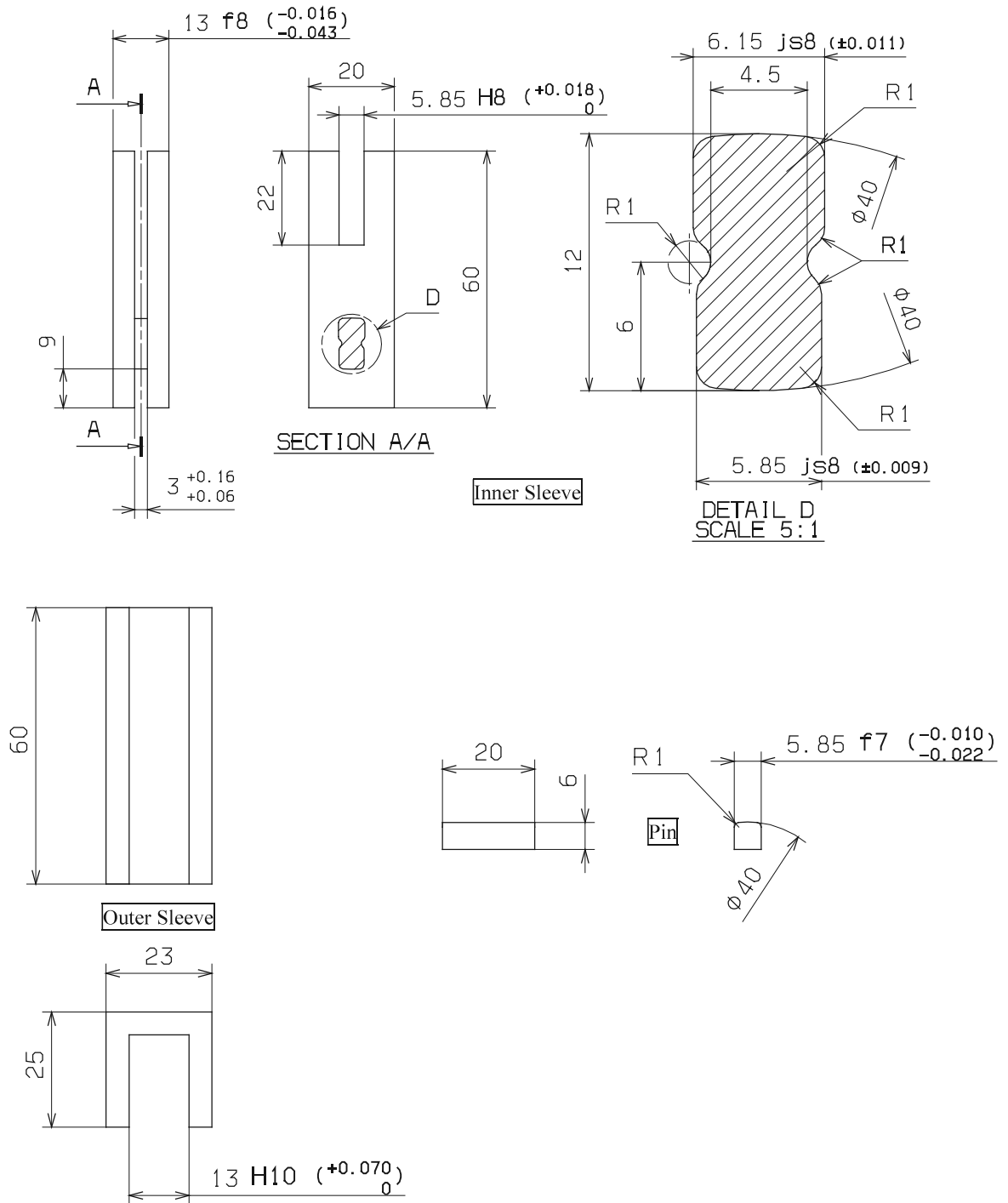
## Appendix A

### A.1 Structural / Ductility test tool



Materiał: AISI 316

**A.2 Assembly / Disassembly test tool**



Material: AISI 316