

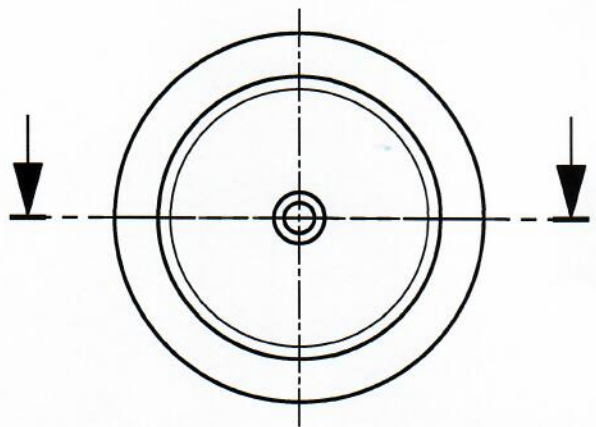
	MNR N 2580-1		Rep'l. for U6		Doc. type <b>DRF</b>	F025Z32016013		DP/DP 000	Ind. 01	Format A4
	Mct. meets/M. segun		Rep'l. by			HERRAMIENTA				

Mat./Mat. Stainless Steel				Treatment/ Tratamiento			
From/de				Missed Details/Datos comp.			
Size/Tam.		Add. info./Info. adic.					

Ind.	Change/Mod.	YYMMDD	Drawn/Req.	Checked/Ver.	Releas./Lib.	BWN	Resp. dept./Dept. Resp.	Add. info./Info. adic.
01	INITIAL	20220429	FGEILIC			623	CC/EAM-PL	

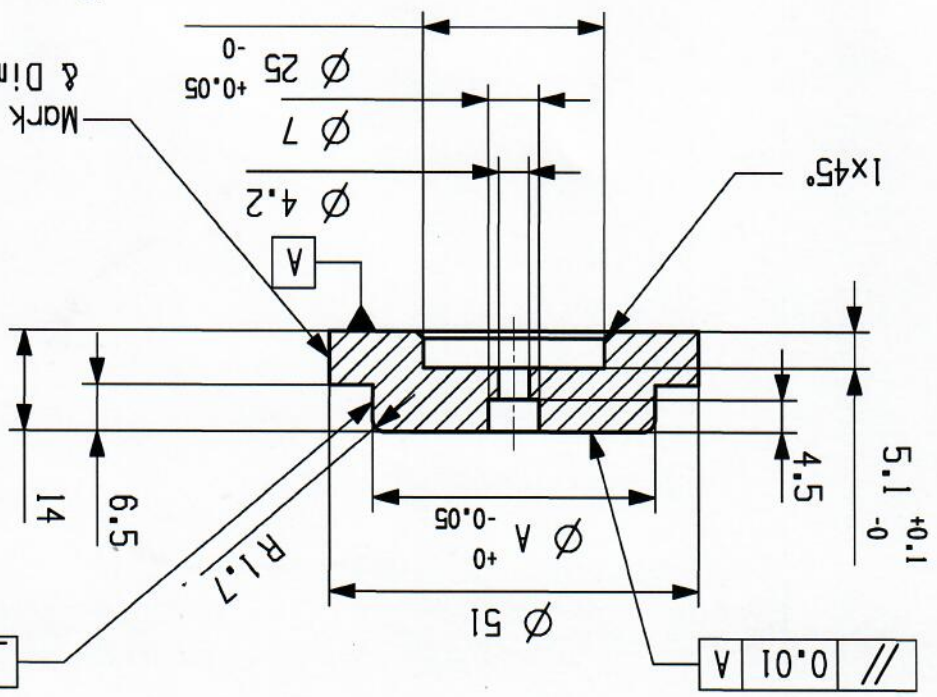
Type	A	Fits in spring N°
01	39.5	0204864M25
02	40.7	0204864M26 / 0204864M27
03	18.5	0204864M28

Linear size acc. to /  
 ISO 14405-1:2010-12  
 (E)



Remove sharp edges

Mark Drawing N° & Dimension A



A B C D E