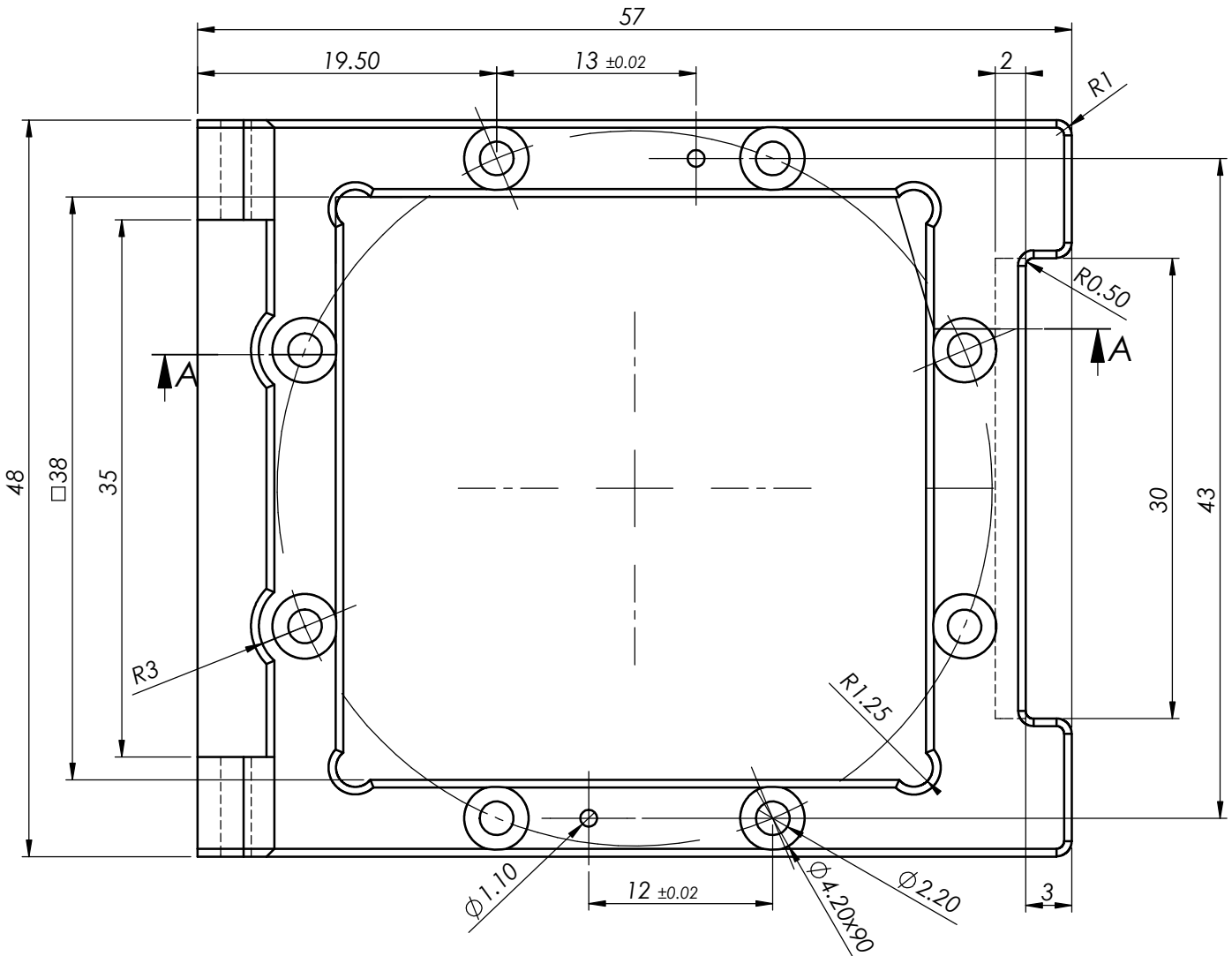
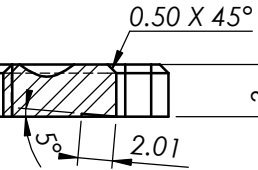


COUPE A-A



A4V

Scale
2.3:1

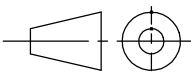
UNLESS OTHERWISE SPECIFIED:
DIMENSIONS ARE IN MILLIMETERS
GENERAL TOLERANCES +/- 0.05



Remark:

NO SHARP ANGLES

00005778.dxf



REV
0

modif:

The information contained in this drawing is proprietary to E-tec and shall not be reproduced or disclosed in whole or in part or used for any design or manufacture except where such user possesses direct, written authorization from E-tec

NAME	DATE
DRAWN idf	10.10.2014
REV'D -	-
CHK'D -	-
APP'V'D sme	13.10.2014

"E-tec order code"

ClamShell Opentop 31-35

"Production code"

Base 31-35

Material:

Alu 6061

www.e-tec.com