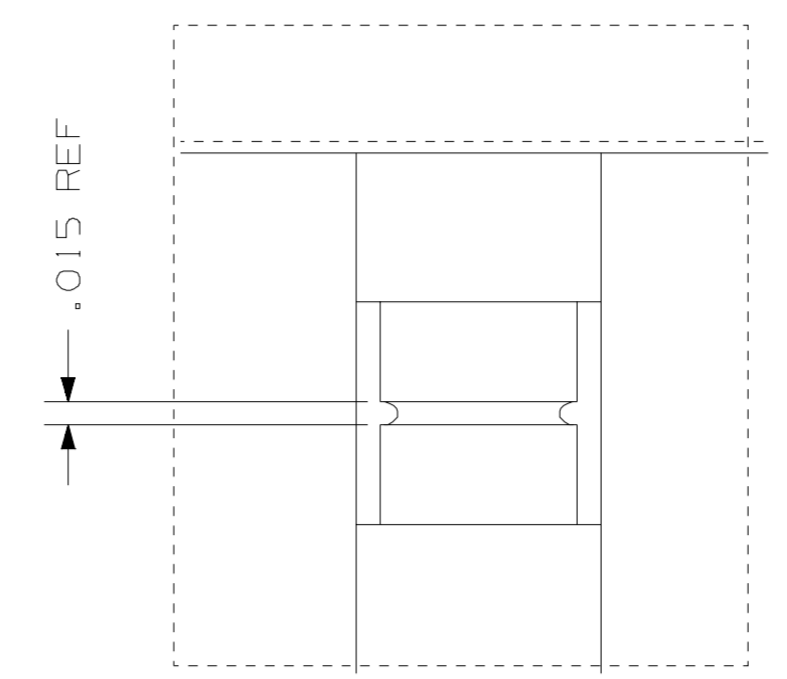
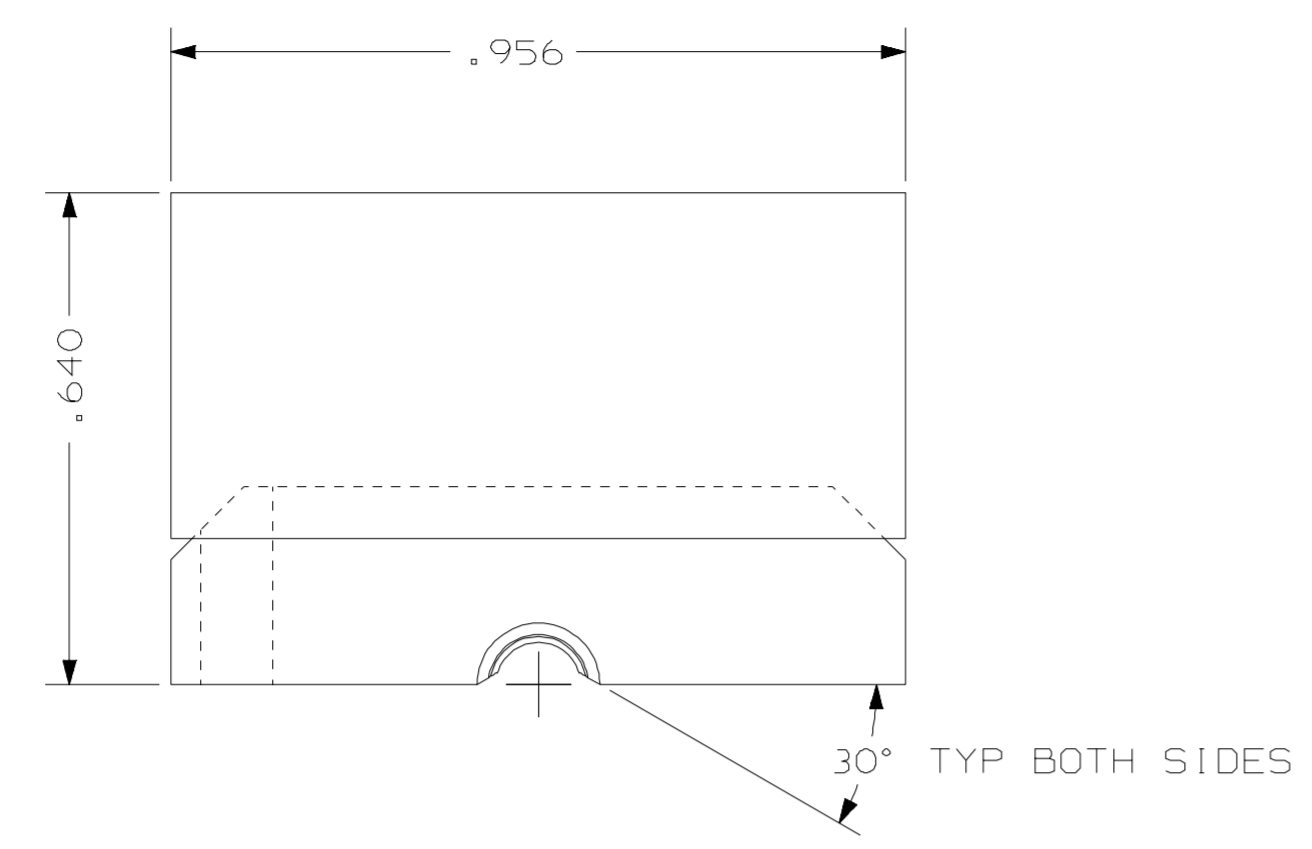


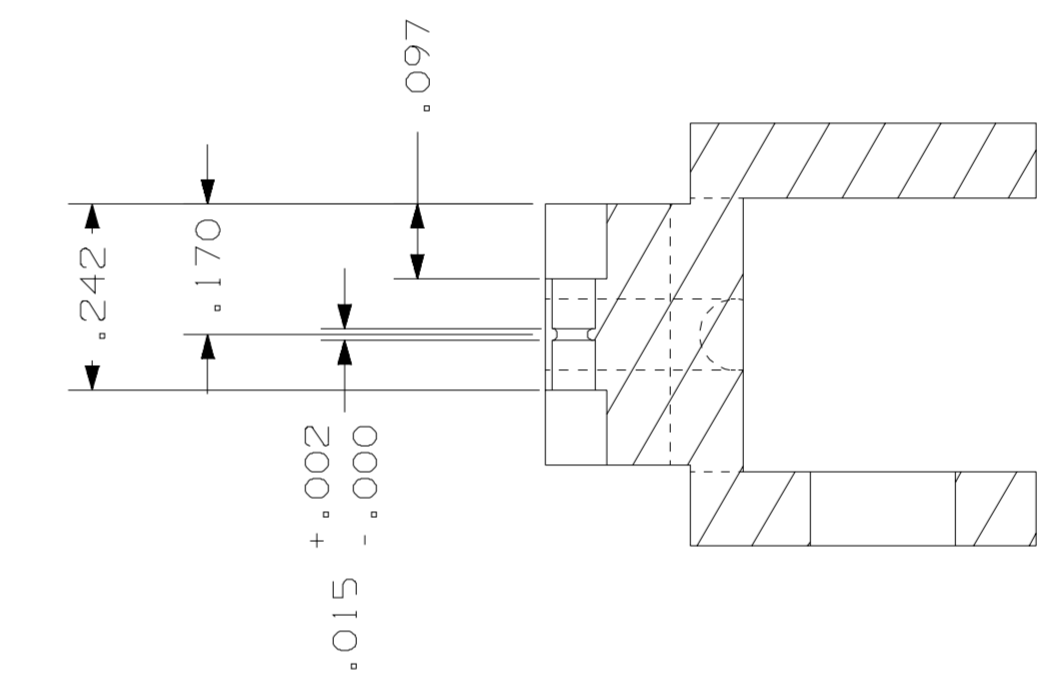
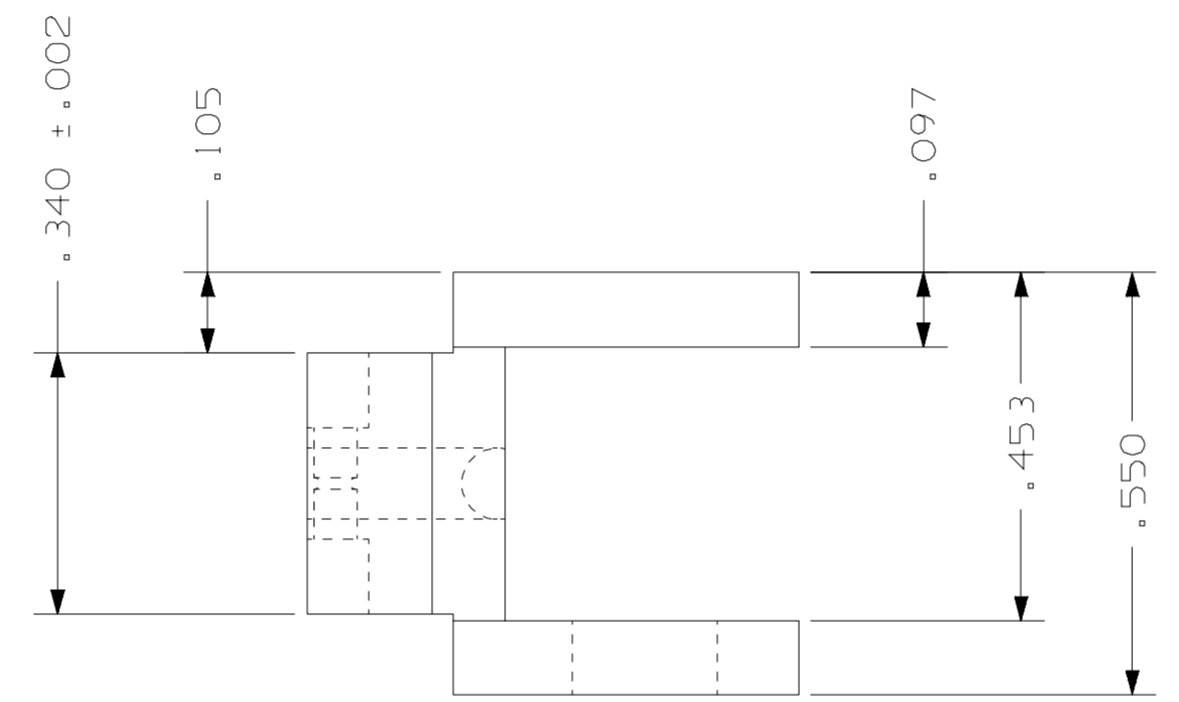
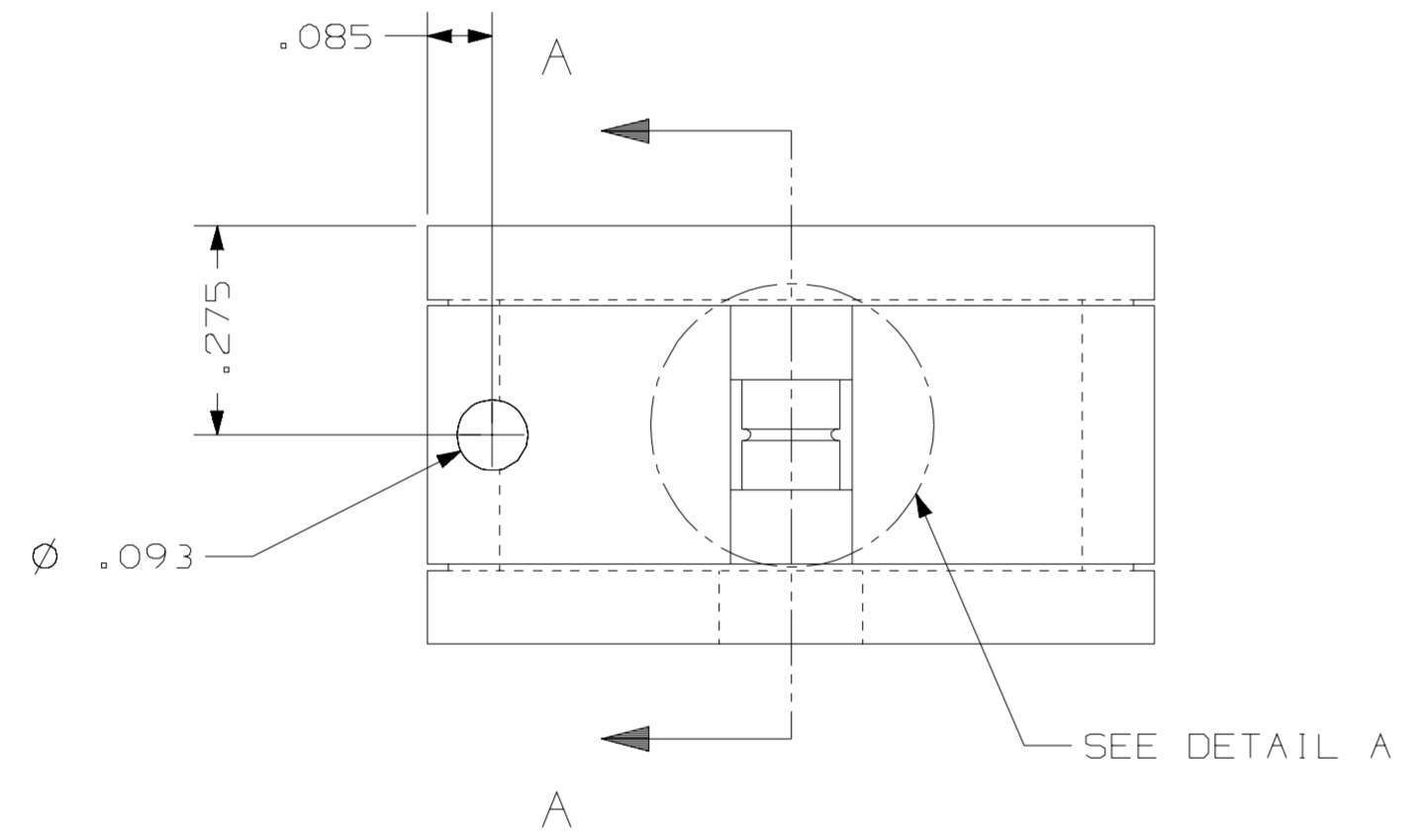
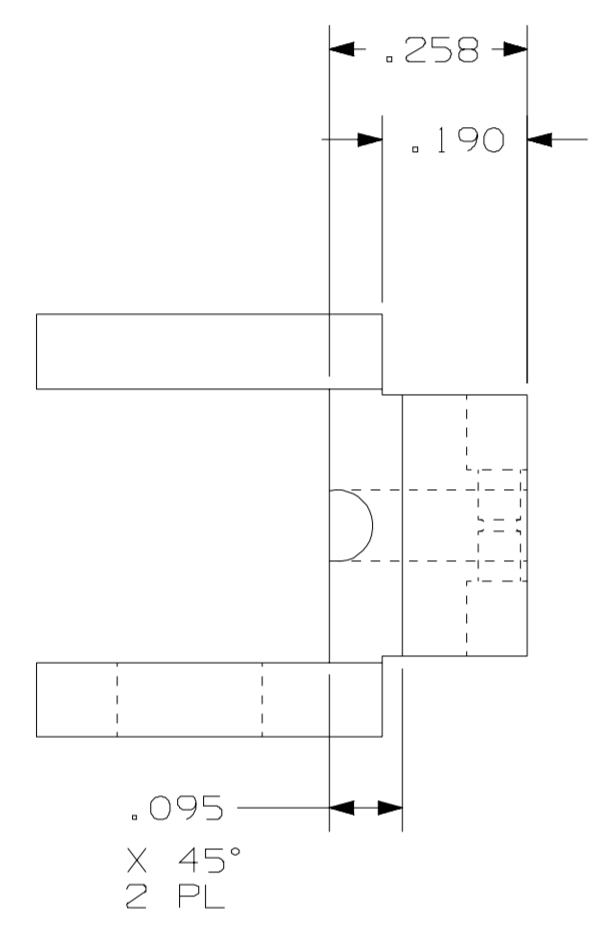
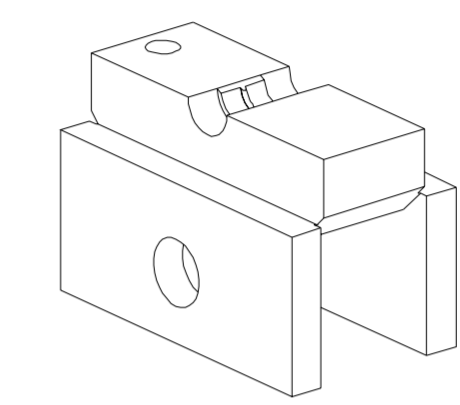
848334850

ENGR	M DOBSON	MD
DRAWN	J.P. TOWHEY	JPT/DDD
3-10-99 ISSUE 1		

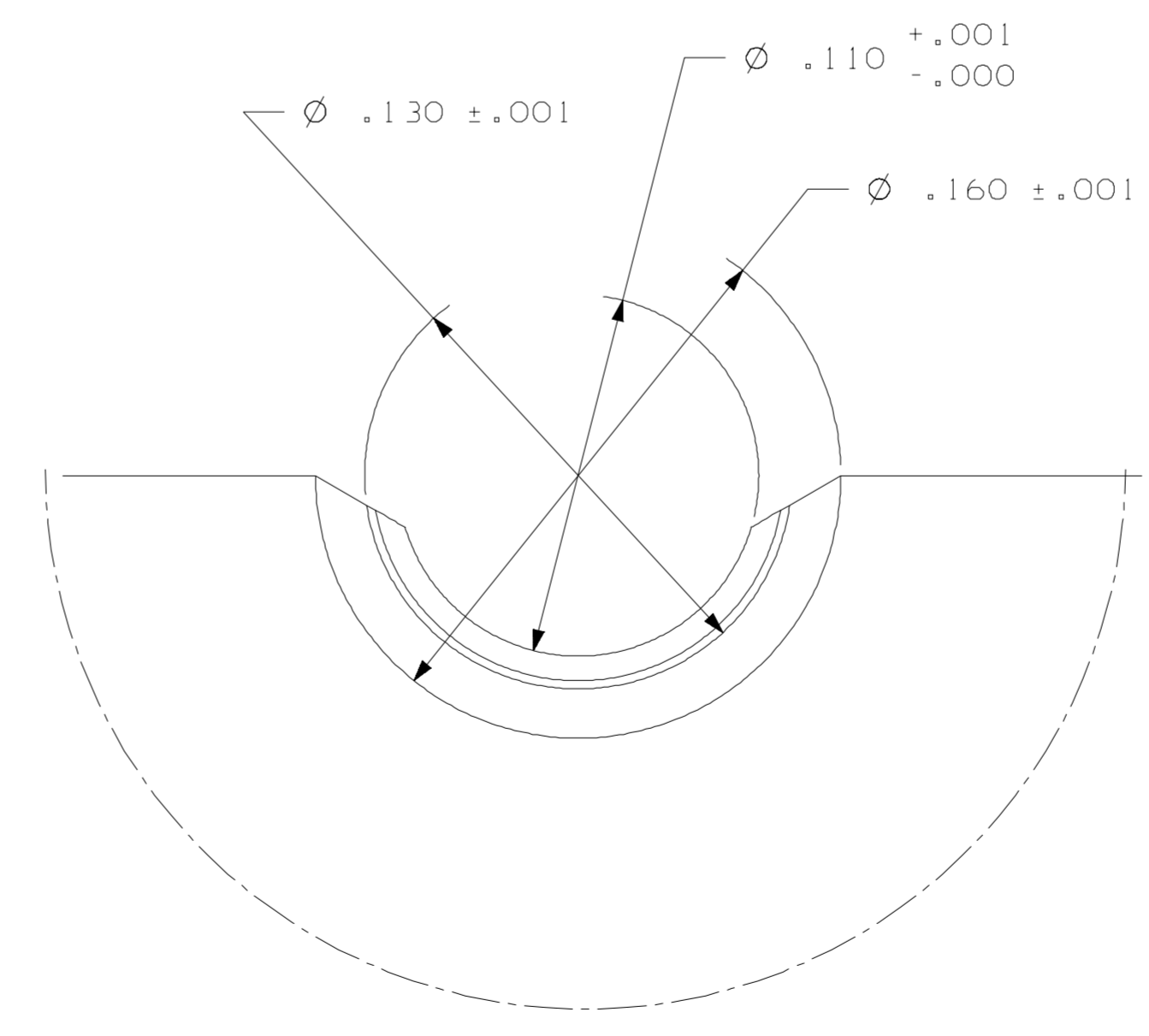
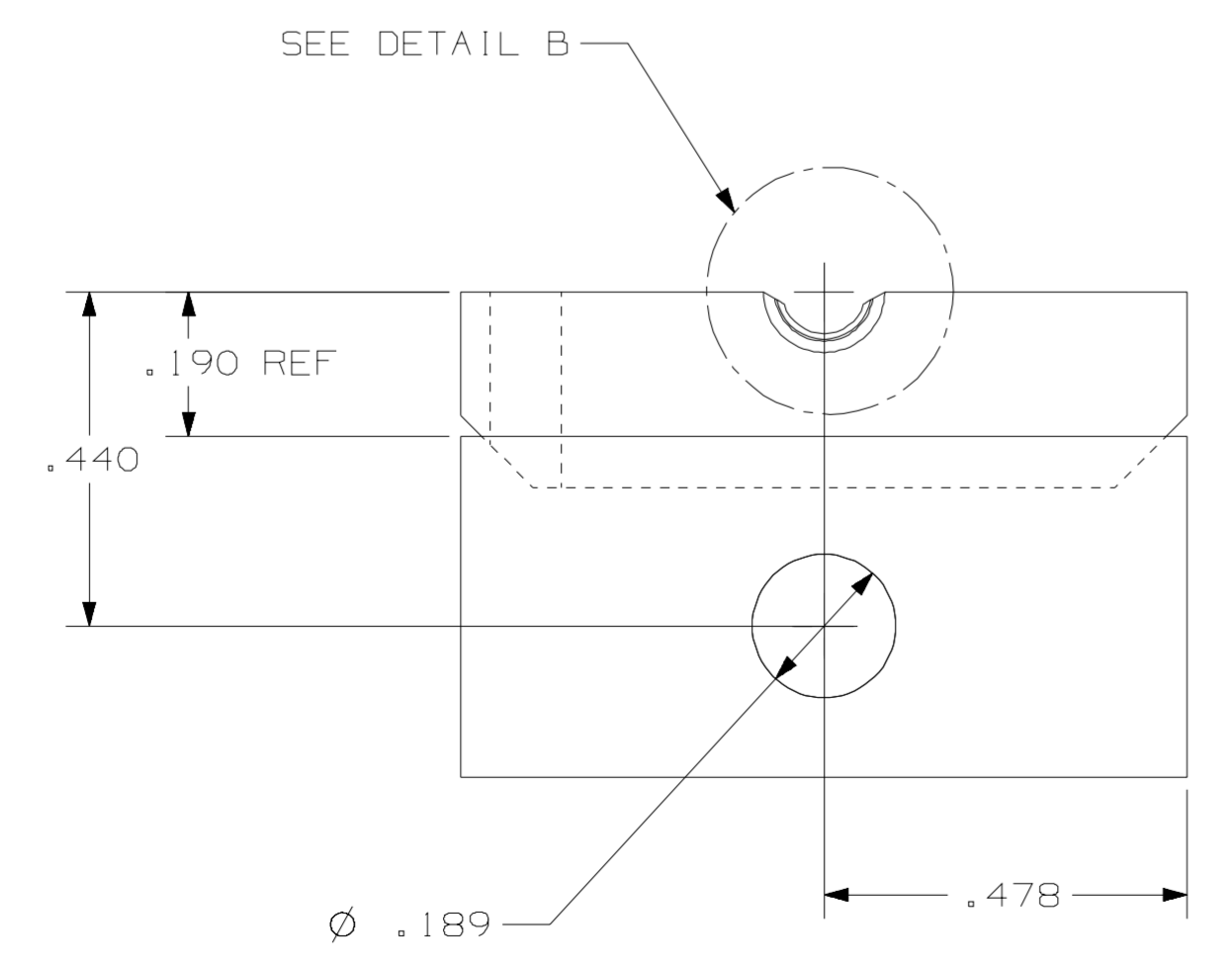
NOTES:
 1. THE GEOMETRY OF THIS PART HAS BEEN CREATED USING UNIGRAPHICS AND IS STORED IN THE ATLANTA UNIGRAPHICS VAULT.



DETAIL A
SCALE 8/1



SECTION A-A



DETAIL B
SCALE 8/1

MATERIAL	FINISH
A2 TOOL STEEL RC 54-58	CHEMICAL BLACK, 608A
UNLESS OTHERWISE SPECIFIED, ALL DIMENSIONS ARE IN INCHES. NONLIMITED DIMENSIONS OTHER THAN SIZE OF RAW MATERIAL SHALL BE HELD AS FOLLOWS WHEN EXPRESSED: TO 2 DECIMAL PLACES ± .01 AS ANGLES ± 1° TO 3 DECIMAL PLACES ± .005 THIS ENGLISH DRAWING HAS BEEN PREPARED IN ACCORDANCE WITH ANSI Y14.5M - 1982. DIMENSIONS SHOWN IN BRACKETS () ARE MILLIMETERS AND FOR REFERENCE.	

USED ON	847841442
DRAWING	

Lucent Technologies
 PROPRIETARY
 Use pursuant to
 Company instructions

APPARATUS-EQUIPMENT

LC CRIMP TOOL,
 LOWER JAW

SCALE 4/1

DWG SIZE	6S
----------	----

848334850