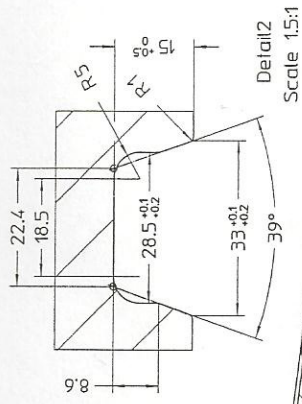
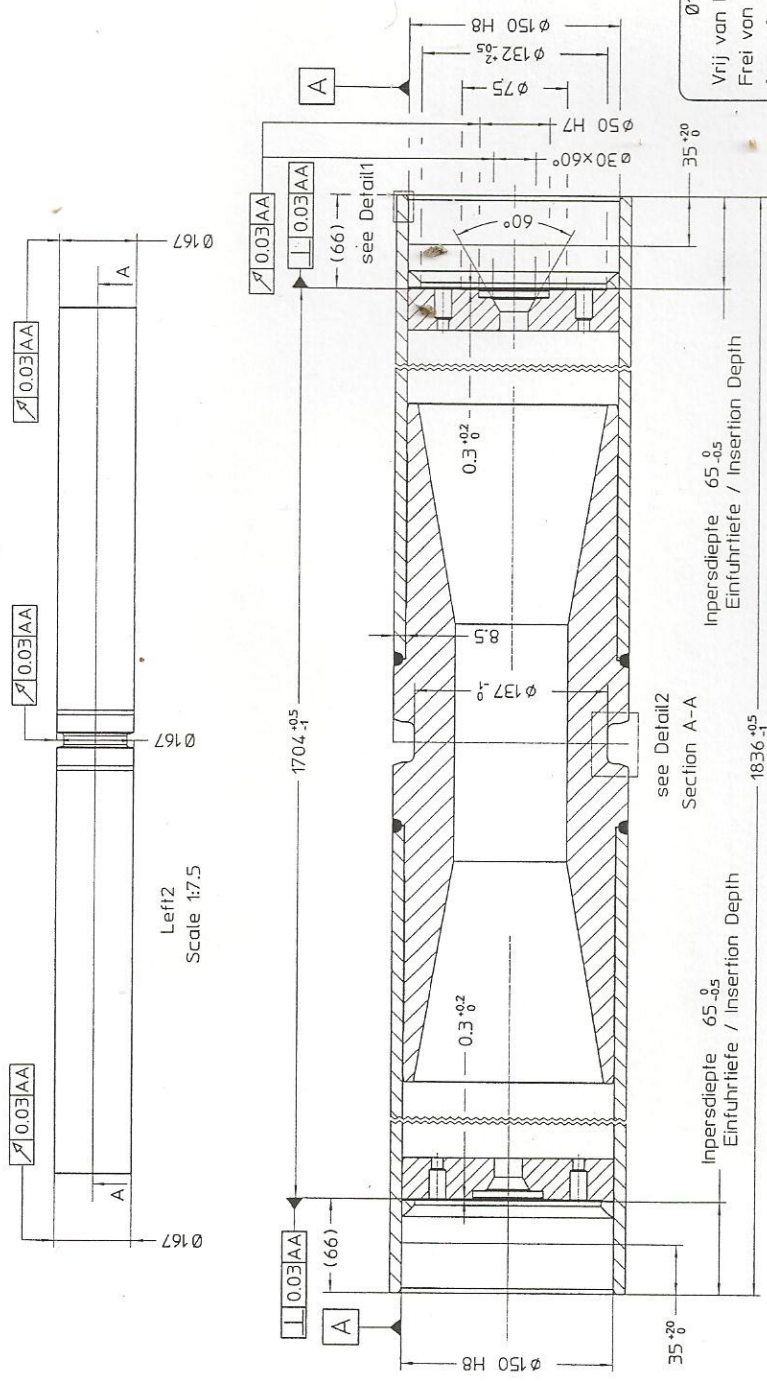
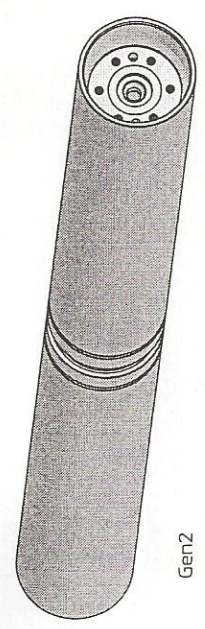
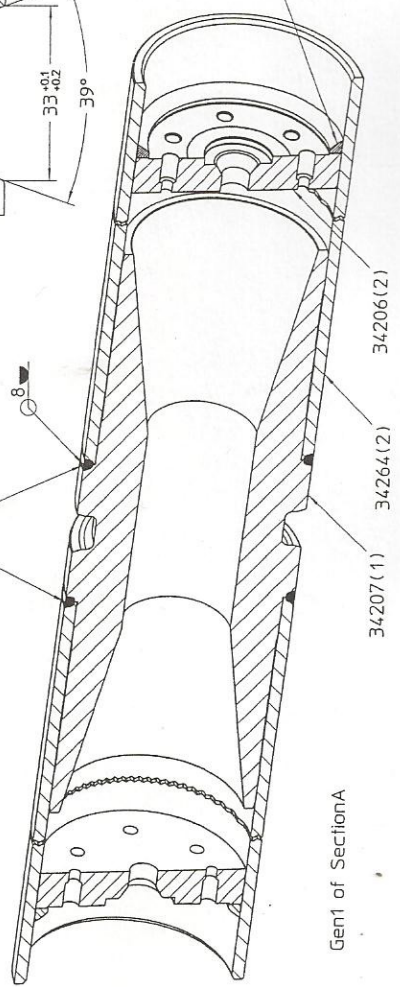


Ø150 H8 L= 35  
 Vrij van Lassen en lasspitters  
 Frei von Schweißen Schweißspritzer  
 free of welding and weld spatter

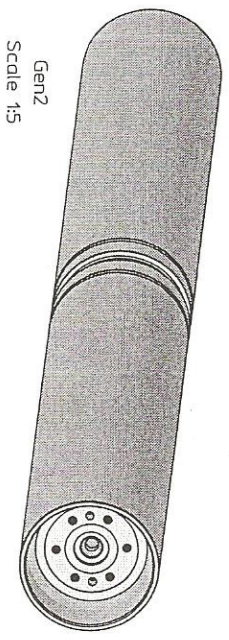
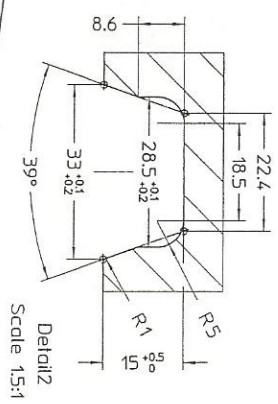
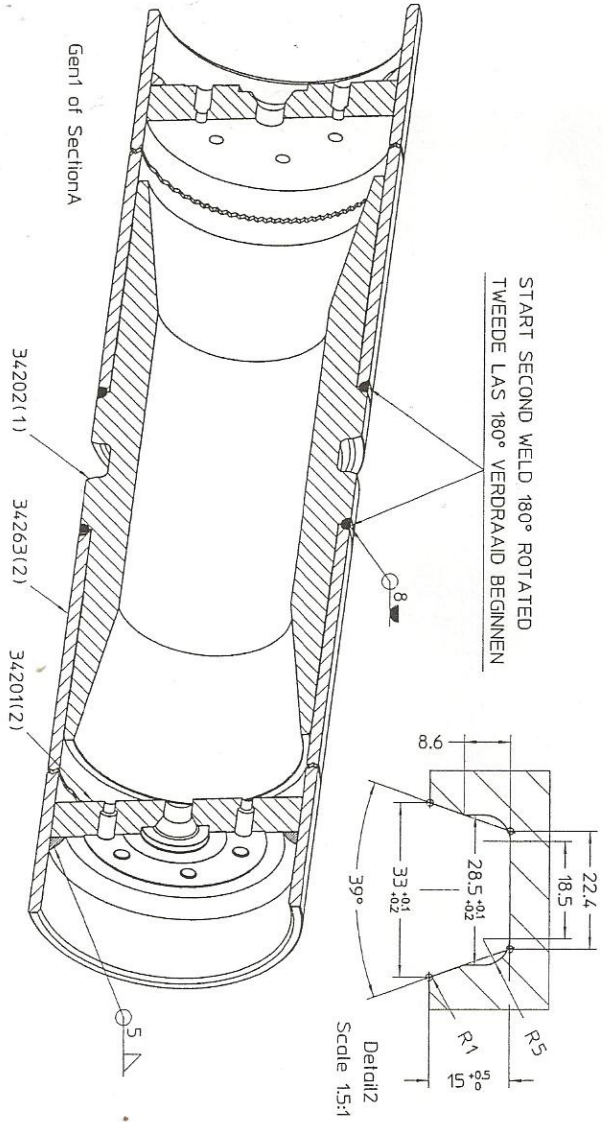
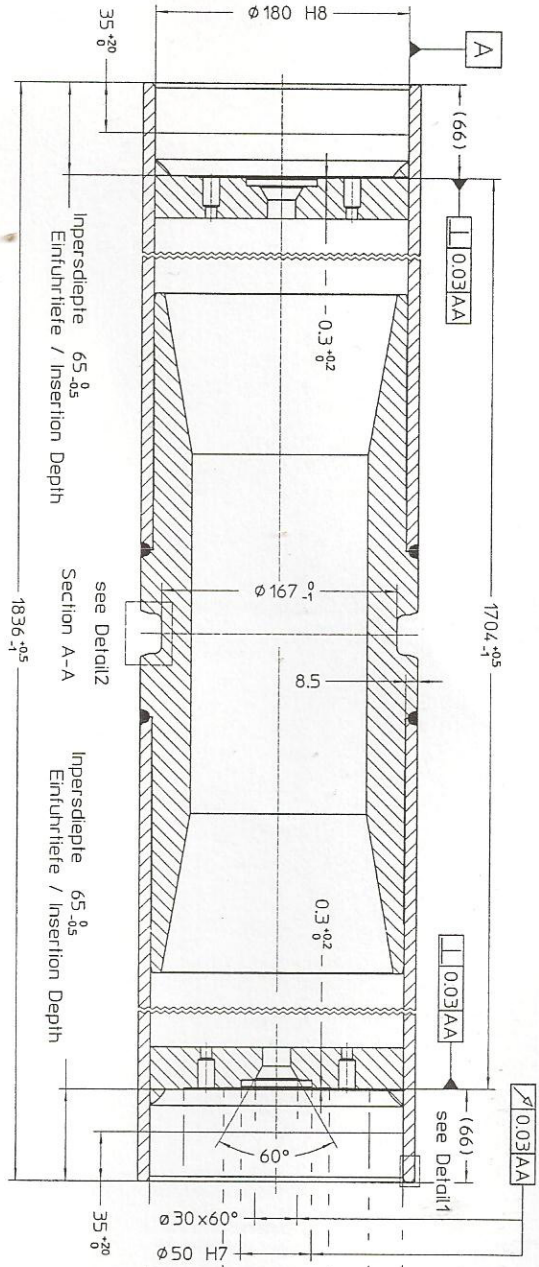
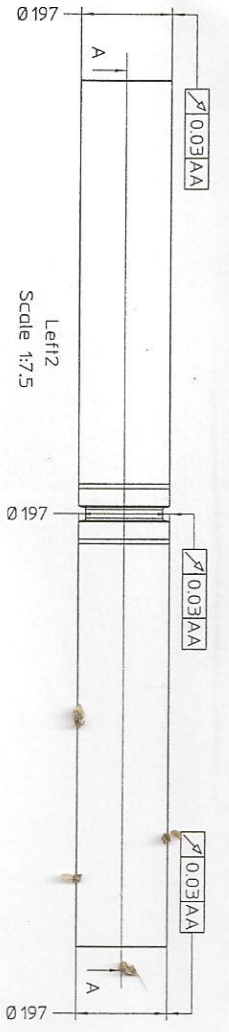


START SECOND WELD 180° ROTATED  
 TWEDE LAS 180° VERDRAAID BEGINNEN

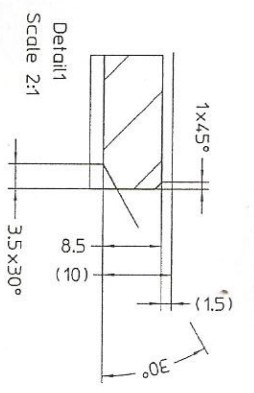
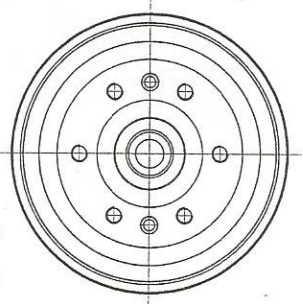


Perspassing / Presssitz / Press Fit  
 Buis / Rohr / Tube Ø150 H8  
 Flens / Flansch / flange Ø180 +0.055/+0.080

|                               |             |      |      |
|-------------------------------|-------------|------|------|
| GENERAL MANUFACTURE TELEPHONE | APPROVED BY | DATE | NAME |
| ACI 00 1700 CL TUBPT          | DATE        | NAME |      |
| STATUS: released              | DATE        | NAME |      |
| MATERIAL: S355JR              | DATE        | NAME |      |
| TREATMENT: PASSIVIEREN G6 VRU | DATE        | NAME |      |
| DIMENSION: Ø150x436           | DATE        | NAME |      |
| DESCRIPTION:                  | DATE        | NAME |      |
| OPVEERBAND MET SMAAR          | DATE        | NAME |      |
| TROTRAC II CASSETTE           | DATE        | NAME |      |
| NUMBER: 19024                 | DATE        | NAME |      |
| REV. 0                        | DATE        | NAME |      |
| FORMAT                        | DATE        | NAME |      |
| A2                            | DATE        | NAME |      |



Ø180 H8 L = 35  
 Vrij van Lassen en laspeltiers  
 Frei von Schweißen und Schweißspalter  
 free of welding and weld spalter



Perspassing / Presssitz / Press Fit  
 Buis / Rohr / Tube Ø180 H8  
 Flens / Flansch / flange Ø180 +0.055/+0.080

|                           |            |                         |            |
|---------------------------|------------|-------------------------|------------|
| GENERAL INQUIRY REFERENCE |            | KAC 00 2108 CL. VERMIA  |            |
| STATUS: released          |            | DATE: 04-02-2008        |            |
| CREATED                   | 04-02-2008 | APPROVED                | 14-09-2008 |
| RELEASED                  | 14-09-2008 | RELEASER                | JMS        |
| DATE: 04-02-2008          |            | NAME: JMS               |            |
| DESCRIPTION:              |            | AANDRIJFROL. CLIMORISCH |            |
| NUMBER: 19023             |            | TROTIRAC II CASSETTE    |            |
| EXTRA:                    |            | DIMENSION: Ø174x1836    |            |
| REVISION:                 |            | REVISION:               |            |
| REV: 0                    | FORMAT     | A2                      |            |